

# Jinbo Marine

Marine & Offshore Equipment Datasheet

PRODUCT DATASHEET

## MARINE TOOLS

# HLD Series-Single Stage Hydraulic Bolt Tensioner

ISO9001 Supplier

Class Certificate

Export Supply

HLD Series-Single Stage Hydraulic Bolt Tensioner &nbsp; &nbsp; Use a maximum pressure of 150 MPa. Compact and easy to maintain. Small size and light weight. Easy to replace the tie rod. Commonly used in petroche...



*jinbomarine.com*

## Key Highlights

Category	Marine Tools
Standard	EN
Weight / Size	Small size and light weight.
Certificate	ABS, LR, BV, DNVGL, NK, KR, IRS, RMRS, CCS

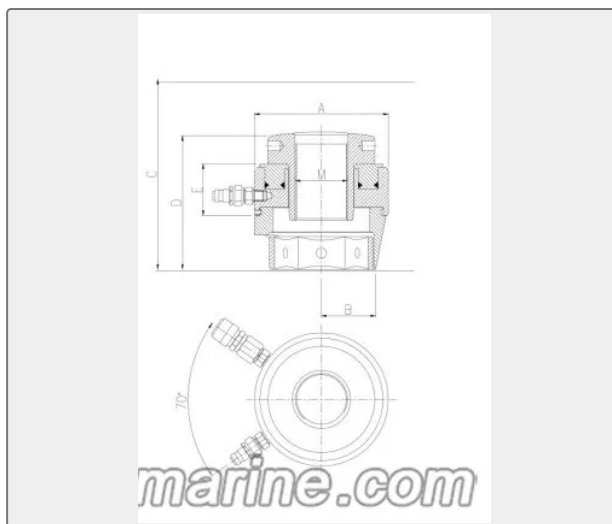
We can supply according to your requirement, drawings, class certificate needs, and delivery schedule.

## Technical Specifications

Category	Marine Tools	Model / SKU	HLD-Series-Single-Stage-Hydraulic-Bolt-Tensioner
Standard	EN	Weight / Size	Small size and light weight.
Certificate	ABS, LR, BV, DNVGL, NK, KR, IRS, RMRS, CCS	Warranty	12 Months unless specified otherwise
Origin	China		

## China HLD Series-Single Stage Hydraulic Bolt Tensioner:

HLD Series-Single Stage Hydraulic Bolt Tensioner



Use a maximum pressure of 150 MPa.

Compact and easy to maintain.

Small size and light weight.

Easy to replace the tie rod.

Commonly used in petrochemical industry conditions.

Model	Bolt Diameter		Maximum Load KN	Oil Pressure Area mm <sup>2</sup>	Weight Kg	A mm	B mm	C mm	D mm	E mm	F mm
	Inch	mm									
HLD1	16	226	1506	3.5	73	24	110	74	45	49	
	3/4	18	226	1506	3.5	73	24	110	74	45	49
	20	226	1506	3.5	73.5	27	110	74	45	49.5	
	7/8	22	226	1506	3	73.5	27	115	74	45	53
	1	24	226	1506	3	73.5	30	125	78	45	58.5
	1 1/8	27	226	1506	3	73.5	32	130	78	45	63.5
HLD2	30	455	3031	5	102	30	150	90	54	69	
	11/4	33	455	3031	5	102	34	150	90	54	72
	1 3/8	36	455	3031	5	102	36	160	95	54	78
	11/2	39	455	3031	5	102	38	170	100	54	80
HLD3	1 1/2	39	803	5357	9	133	42	175	95	56	83.5
	1 5/8	42	803	5357	9	133	42	185	100	56	92.5
	1 3/4	45	803	5357	9	133	44	195	103	56	98
	17/8	48	803	5357	9	133	46	205	107	56	101
	2	52	803	5357	9	133	48	210	112	56	106

HLD4	1 7/8	48	1288	8591	15	163	50	205	105	58	108
	2	52	1288	8591	15	163	52	215	108	58	108
	2 1/4	56	1288	8591	15	163	54	235	117	58	118.5
	60	1288	8591	15	163	54	238	120	58	127	
	2 1/2	64	1288	8591	15	163	58	254	129	58	130.5
HLD5	2 1/2	64	1978	13188	25	193	64	254	125	60	130.5
	68	1978	13188	25	193	72	258	130	60	138	
	2 3/4	72	1978	13188	25	193	72	258	130	60	143
	3	76	1978	13188	25	193	74	258	141	60	153