

Jinbo Marine

Marine & Offshore Equipment Datasheet

PRODUCT DATASHEET

TURNBUCKLE

Hook & Hook Turnbuckles HG-223 , SS304 OR SS316

ISO9001 Supplier

Class Certificate

Export Supply

THREAD DIAMETER & TAKE UP (mm) WEIGHT each (kg) DIMENSIONS (mm) A D E
CLOSED F J OPEN ...



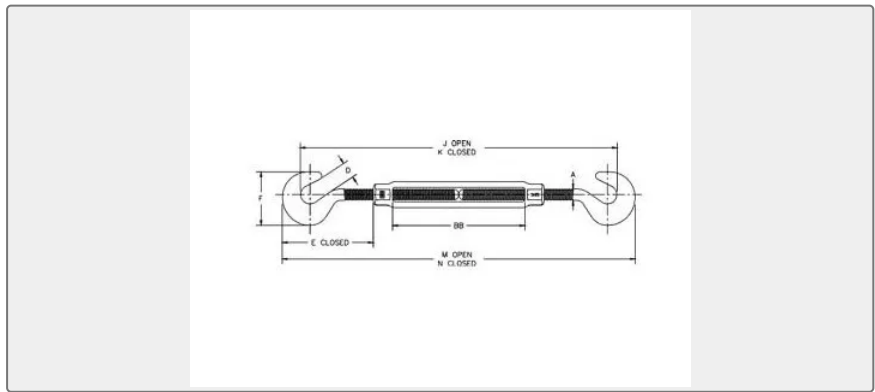
Key Highlights

Category	Turnbuckle
Standard	EN
Material	Stainless steel
Weight / Size	THREAD DIAMETER & TAKE UP (mm) WEIGHT each (kg) DIMENSIONS (mm) A D E CLOS...
Certificate	ABS, LR, BV, DNVGL, NK, KR, IRS, RMRS, CCS

We can supply according to your requirement, drawings, class certificate needs, and delivery schedule.

Technical Specifications			
Category	Turnbuckle	Model / SKU	HOOK-HOOK-TURNBUKLES-HG-223-SS304-OR-SS316
Standard	EN	Material	Stainless steel
Weight / Size	THREAD DIAMETER & TAKE UP (mm) WEIGHT each (kg) DIMENSIONS(mm) A D E CLOSED F J OPEN K CLOSED M OPEN N CLOSED BB 6.35x102 0.15 6.35 11.2 42.3 32.3 249 187 310 208 103 7.94x114 0.24 7.94 12.7 50.7 38.1 294 218 358 243 116 9.53x152 0.38 9.53 14.2 57.8 44.7 387 270 453 301 155 12.7x152 0.85 12.7 16.5 89.7 57.9 457 335 527 375 153 12.7x305 1.26 12.7 16.5 89.2 57.9 769 495 839 535 314 15.9x305 1.46 15.9 22.9 108 71.4 495 368 572 419 153 15.9x305 2.08 15.9 22.9 107 71.4 809 529 885 580 315 19.1x152 1.91 19.1 24.9 129 84.6 538 406 620 467 156 19.1x305 3.14 19.1 24.9 128 84.6 853 568 935 630 320 19.1x457 3.92 19.1 24.9 129 84.6 1158 721 1240 782 471 22.2x305 4.47 22.2 28.7 148 96 886 597 972 667 309 25.4x305 6.7 25.4 31.8 167 108 929 637 1019 714 309	Certificate	ABS, LR, BV, DNVGL, NK, KR, IRS, RMRS, CCS
Warranty	12 Months unless specified otherwise	Origin	China

China Hook & Hook Turnbuckles HG-223 , SS304 OR SS316:



THREAD DIAMETER & TAKE UP (mm)	WEIGHT each (kg)	DIMENSIONS(mm)								
		A	D	E CLOSED	F	J OPEN	K CLOSED	M OPEN	N CLOSED	BB
6.35x102	0.15	6.35	11.2	42.3	32.3	249	187	310	208	103
7.94x114	0.24	7.94	12.7	50.7	38.1	294	218	358	243	116
9.53x152	0.38	9.53	14.2	57.8	44.7	387	270	453	301	155
12.7x152	0.85	12.7	16.5	89.7	57.9	457	335	527	375	153
12.7x305	1.26	12.7	16.5	89.2	57.9	769	495	839	535	314
15.9x305	1.46	15.9	22.9	108	71.4	495	368	572	419	153
15.9x305	2.08	15.9	22.9	107	71.4	809	529	885	580	315
19.1x152	1.91	19.1	24.9	129	84.6	538	406	620	467	156
19.1x305	3.14	19.1	24.9	128	84.6	853	568	935	630	320
19.1x457	3.92	19.1	24.9	129	84.6	1158	721	1240	782	471
22.2x305	4.47	22.2	28.7	148	96	886	597	972	667	309
25.4x305	6.7	25.4	31.8	167	108	929	637	1019	714	309