

HEAT EXCHANGER

# HP Diesel Engine SL200-SL830A Heat Exchanger

ISO9001 Supplier

Class Certificate

Export Supply

PARAMETER TYPE A B &nbsp; C &nbsp; D &nbsp; E F DIAMETER DIAMETER ...



### Key Highlights

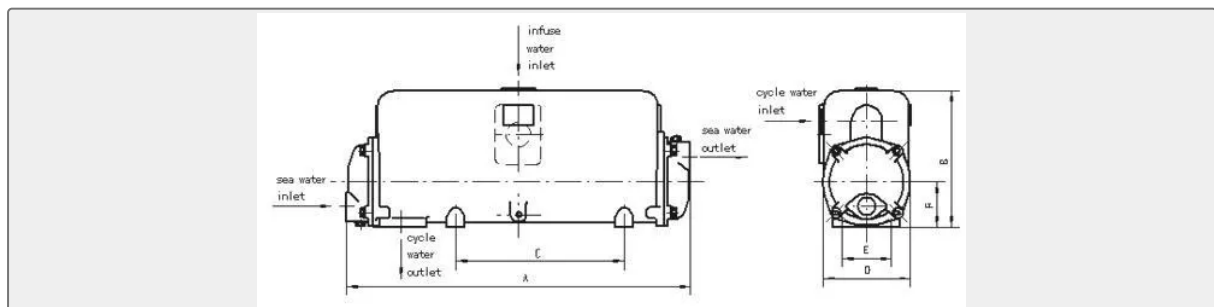
Category	Heat Exchanger
Standard	EN
Certificate	ABS, LR, BV, DNVGL, NK, KR, IRS, RMRS, CCS

We can supply according to your requirement, drawings, class certificate needs, and delivery schedule.

### Technical Specifications

Category	Heat Exchanger	Model / SKU	HP-Diesel-Engine-SL200-SL830A-Heat-Exchanger
Standard	EN	Certificate	ABS, LR, BV, DNVGL, NK, KR, IRS, RMRS, CCS
Warranty	12 Months unless specified otherwise	Origin	China

### China HP Diesel Engine SL200-SL830A Heat Exchanger:



PARAMETER TYPE	A	B	C	D	E	F	DIAMET ER	DIAMET ER	AREA OF	SCOPE
	OF FRESH	OF SEA	COOLIN G m2	APPLICA BLE						
	mm	mm	mm	mm	m m	m m	WATER	WATER	(FOR REFERENCE )	
SL-200	467	219	200	140	75	76	2"	11/4"	0.62	70&70HP under diesel engine
SL-300	598	280	200	174	10 2	93	2"	11/2"	1.3	70-108HP diesel engine
SL-400	714	280	346	174	10 2	93	2"	11/2"	1.61	150-240HP diesel engine
SL-500	854	280	422	174	10 2	93	2"	11/2"	2	240-400HP diesel engine
SL-600	714	366	346	228	13 0	12 8	2 3/8"	2"	1.91	290-400HP diesel engine
SL-700	714	366	346	228	13 0	12 8	2 3/8"	2"	3.5	450-600HP diesel engine
SL-830A	854	366	428	228	13 0	12 8	3"	2"	4.3	600-800HP diesel engine