

# Jinbo Marine

Marine & Offshore Equipment Datasheet

PRODUCT DATASHEET

## MARINE KITCHEN GALLEY

# HS40A Marine Dough Mixer

HS40A Marine Dough Mixer 1. The dough mixer and the material bucket can rotate at the same time, which greatly speeds up the mixing speed and improves efficiency 2. Stainless steel safety net, strengthen the safet...

ISO9001 Supplier

Class Certificate

Export Supply



### Key Highlights

Category	Marine Kitchen Galley
Standard	EN
Material	SS
Weight / Size	The base form is suitable for installation and fixing on ships HS40A Mar...
Certificate	ABS, LR, BV, DNVGL, NK, KR, IRS, RMRS, CCS

We can supply according to your requirement, drawings, class certificate needs, and delivery schedule.



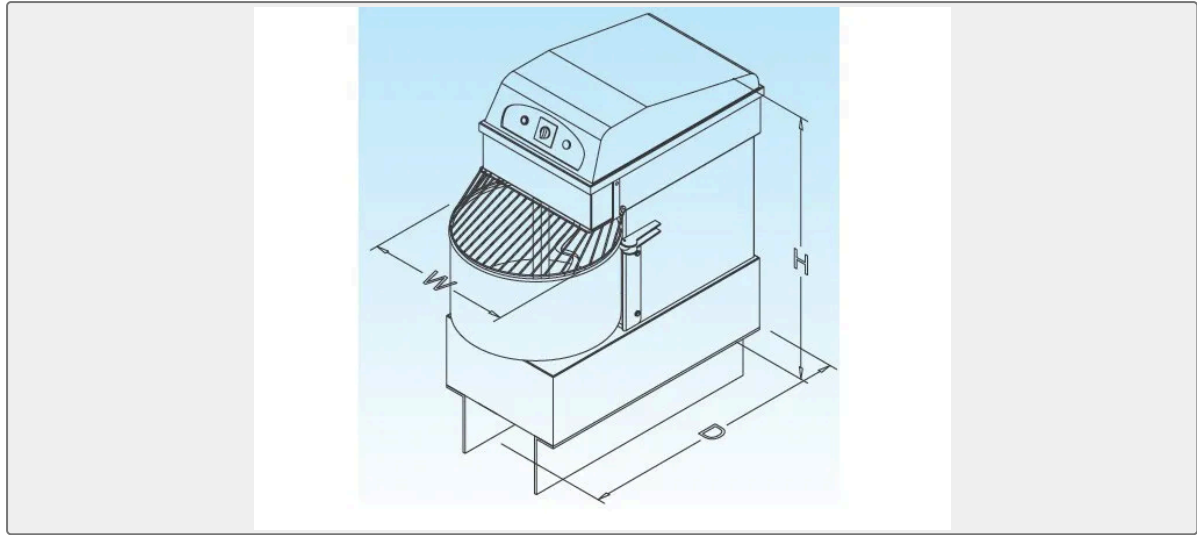
Technical Specifications			
<b>Category</b>	Marine Kitchen Galley	<b>Model / SKU</b>	HS40A-Marine-Dough-Mixer
<b>Standard</b>	EN	<b>Material</b>	SS
<b>Weight / Size</b>	The base form is suitable for installation and fixing on ships HS40A Marine Dough Mixer Dawing HS40A Marine Dough Mixer Parameters Model HS20 HS30A HS40A HS50A HS60A Dough Capacity 8KG 12KG 16KG 20KG 25KG Volume(L) 20L 30L 40L 50L 60L Voltage 220V-1PH-50Hz 380/415V-3PH-50Hz 440/480V/3PH-60Hz Power(kw) 1.1 1.6 1.6 2.9 2.2 Size(mm) 380X690X730 435X750X880 4335X750X880 480X860X850 510X850X970 Weight(kg) 70 100 100 130 150	<b>Certificate</b>	ABS, LR, BV, DNVGL, NK, KR, IRS, RMRS, CCS
<b>Warranty</b>	12 Months unless specified otherwise	<b>Origin</b>	China

CONTENTS			
■ HS40A Marine Dough Mixer	■ HS40A Marine Dough Mixer Dawing	■ HS40A Marine Dough Mixer Parameters	

## HS40A Marine Dough Mixer

1. The dough mixer and the material bucket can rotate at the same time, which greatly speeds up the mixing speed and improves efficiency
2. Stainless steel safety net, strengthen the safety, let you use more at ease
3. Set up the function of stopping the lifting network and not hurting your hands
4. Convenient and safe operation, beautiful appearance and easy to clean
5. The base form is suitable for installation and fixing on ships

## HS40A Marine Dough Mixer Dawing



## HS40A Marine Dough Mixer Parameters

Model	HS20	HS30A	HS40A	HS50A	HS60A
Dough Capacity	8KG	12KG	16KG	20KG	25KG
Volume(L)	20L	30L	40L	50L	60L
Voltage	220V-1PH-50Hz 380/415V-3PH-50Hz 440/480V/3PH-60Hz				
Power(kw)	1.1	1.6	1.6	2.9	2.2
Size(mm)	380X690X730	435X750X880	4335X750X880	480X860X850	510X850X970
Weight(kg)	70	100	100	130	150