

Jinbo Marine

Marine & Offshore Equipment Datasheet

PRODUCT DATASHEET

SOUND POWERED TELEPHONE SYSTEM

HSC Flush Type Batteryless Telephone

The series of HSC sound powered telephone telephones are designed according to the CCS rules and regulations. They are used as sound powered and common battery telephones for communication on vessels. Its features are...

ISO9001 Supplier

Class Certificate

Export Supply



Key Highlights

Category	Sound Powered Telephone System
Standard	DIN
Material	Capacity:1 /8 /12 Environment noise:85dB Ring sound level:80dB Material:...
Certificate	ABS, LR, BV, DNVGL, NK, KR, IRS, RMRS, CCS

We can supply according to your requirement, drawings, class certificate needs, and delivery schedule.

Technical Specifications

Category	Sound Powered Telephone System	Model / SKU	HSC-Flush-Type-Batteryless-Telephone
Standard	DIN	Material	Capacity:1 /8 /12 Environment noise:85dB Ring sound level:80dB Material:ABS plastic Color:Dull black.
Certificate	ABS, LR, BV, DNVGL, NK, KR, IRS, RMRS, CCS	Warranty	12 Months unless specified otherwise
Origin	China		

CONTENTS

- China HSC Flush Type Batteryless Telephone:

- Feature:

China HSC Flush Type Batteryless Telephone:

The series of HSC sound powered telephone telephones are designed according to the CCS rules and regulations. They are used as sound powered and common battery telephones for communication on vessels. Its features are loud and clear with or without external power, and convenient for use.



Capacity:1 /8 /12

Environment noise:85dB

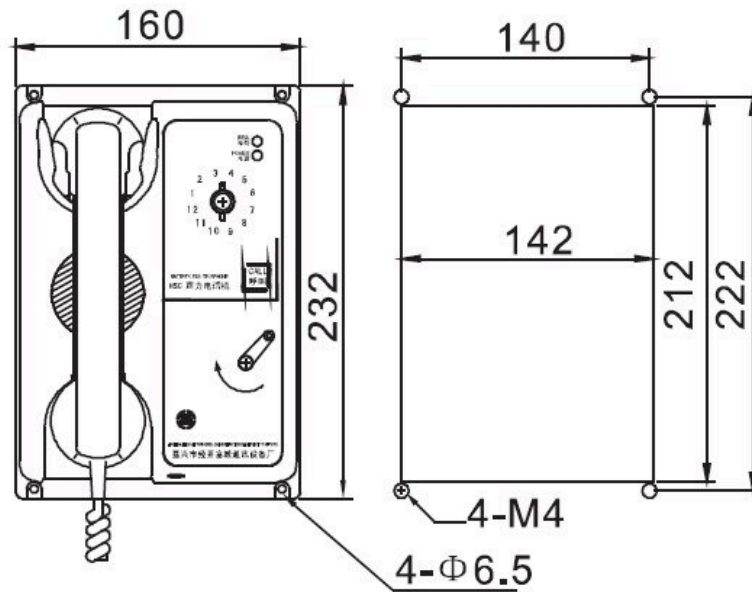
Ring sound level:80dB

Material:ABS plastic

Color:Dull black.

IP class: IP20

Drawing:



(嵌入深度depth:65)

Feature:

Enhance voice for communicate

The user can use the sound powered telephone telephone with 24VDC power to communicate. The telephone call will change to sound powered call automatically when power down.

Press key to call

One call key on the panel of the HSC telephone. When the 24VDC power is on, press this key to call the other telephone without rotating the generator. When the power supply is between 15V and 35V, the telephone can be used normally. Rotate the generator to communicate when power down.

Noise-proof feature

The noise-proof sound powered telephone telephone with noise-proof headset. It can be used under the 110dB noise environment.

Flashing light signalling unit

It is used in the engine room and other noise area. The sound powered telephone telephones all with terminals to connect it. When the telephone call signal should be send to the E/R alarm indicator column, FR-100 relay box should be connected.