

SOUND POWERED TELEPHONE SYSTEM

HSC Noise-proof Batteryless Telephone

- ISO9001 Supplier
- Class Certificate
- Export Supply

Specification: It is used as sound powered and common battery telephones for communication on vessels. Loud Clear HSC Sound powered telephone Telephone System
The series of HSC sound powered telep...



Key Highlights

Category	Sound Powered Telephone System
Standard	DIN
Material	Capacity:1 /8 /12 Environment noise:110dB Ring sound level:80dB Material...
Certificate	ABS, LR, BV, DNVGL, NK, KR, IRS, RMRS, CCS

We can supply according to your requirement, drawings, class certificate needs, and delivery schedule.

Technical Specifications

Category	Sound Powered Telephone System	Model / SKU	HSC-Noise-proof-Batteryless-Telephone
Standard	DIN	Material	Capacity:1 /8 /12 Environment noise:110dB Ring sound level:80dB Material:ABS plastic Color:Dull black.
Certificate	ABS, LR, BV, DNVGL, NK, KR, IRS, RMRS, CCS	Warranty	12 Months unless specified otherwise
Origin	China		

CONTENTS	<ul style="list-style-type: none"> ■ Specification: ■ System configuration can be classified into three types. 	FEATURES
-----------------	--	-----------------



Specification:

It is used as sound powered and common battery telephones for communication on vessels.

Loud

Clear

HSC Sound powered telephone Telephone System

The series of HSC sound powered telephone telephones are designed according to the CCS rules and regulations. They are used as sound powered and common battery telephones for communication on vessels. Its features are loud and clear with or without external power, and convenient for use.

Capacity: 1 / 8 / 12

Environment noise: 110dB

Ring sound level: 80dB

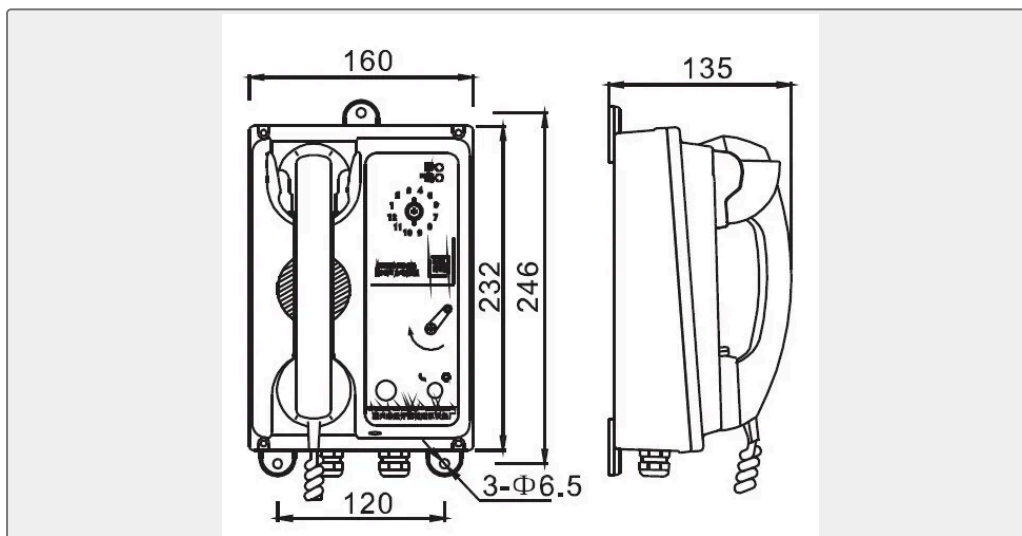
Material: ABS plastic

Color: Dull black.

IP class: IP44

Cable gland: PG16, PG21

Drawing:



FEATURES

Enhance voice for communicate

The user can use the sound powered telephone telephone with 24VDC power to communicate. The telephone call will change to sound powered call automatically when power down.

Press key to call

One call key on the panel of the HSC telephone. When the 24VDC power is on, press this key to call the other telephone without rotating the generator. When the power supply is between 15V and 35V, the telephone can be used normally. Rotate the generator to communicate when power down.

Noise-proof feature

The noise-proof sound powered telephone telephone with noise-proof headset. It can be used under the 110dB noise environment.

Flashing light signalling unit

It is used in the engine room and other noise area. The sound powered telephone telephones all with terminals to connect it. When the telephone call signal should be send to the E/R alarm indicator column, FR-100 relay box should be connected.

System configuration can be classified into three types.

1. Single-way sound powered telephone telephone

Two single-way sound powered telephone telephones can be connected for communication. When the cable of HSC-1Q connect through wheelhouse console, the connection cable should be separated screen and grounded well.

2. Selective sound powered telephone telephone

The selective call telephone system is consisted of several multi-way type telephones. Any telephone can call each other. Several pairs of telephones can communicate at the same time. The capability is 4~12 lines.

3. Command sound powered telephone telephone

The command sound powered telephone telephone system is consisted of one command telephone and several multi-way type telephones. The command telephone can communicate with multi-way type telephones. The multi-way telephone can not call each other. Other telephones can override when the command telephone communicate with the others.