

HSJ VISUAL INFORMATION DISPLAY SYSTEM

HSJ-2Q Visual Information Display Controller

ISO9001 Supplier

Class Certificate

Export Supply

HSJ-2Q Visual Information Display Controller Colour: Dull black Shell material: ABS Power supply: DC24V±10% IP rating: IP22 Power consumption: 150W



Key Highlights

Category HSJ Visual Information Display System

Material Dull black Shell material:

Certificate ABS, LR, BV, DNVGL, NK, KR, IRS, RMRS, CCS

We can supply according to your requirement, drawings, class certificate needs, and delivery schedule.

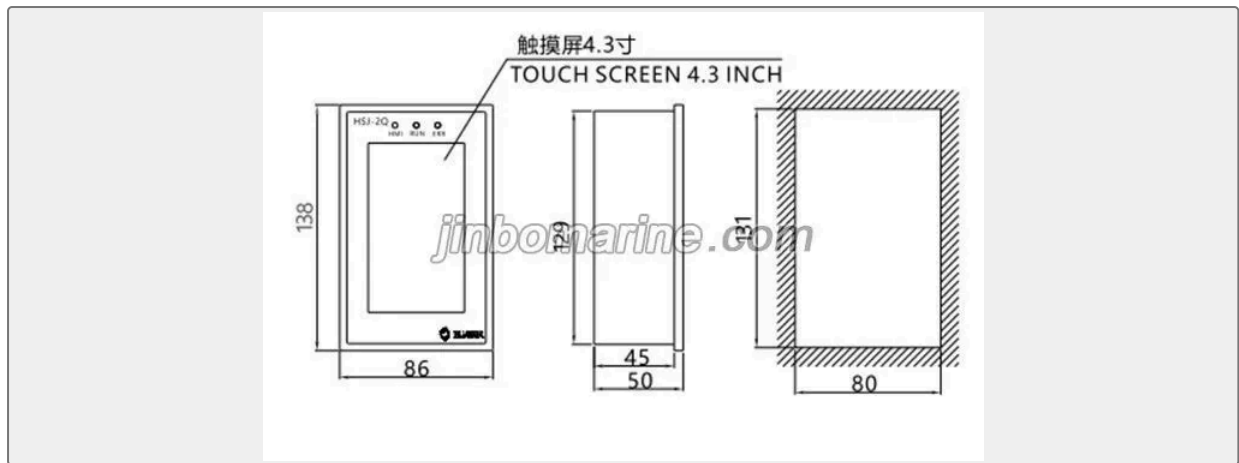
Technical Specifications

Category	HSJ Visual Information Display System	Model / SKU	HSJ-2Q-Visual-Information-Display-Controller
Material	Dull black Shell material:	Certificate	ABS, LR, BV, DNVGL, NK, KR, IRS, RMRS, CCS
Warranty	12 Months unless specified otherwise	Origin	China

China HSJ-2Q Visual Information Display Controller:

HSJ-2Q Visual Information Display Controller





Colour: Dull black

Shell material: ABS

Power supply: DC24V±10%

IP rating: IP22

Power consumption: 150W