

Jinbo Marine

Marine & Offshore Equipment Datasheet

PRODUCT DATASHEET

HTM RAMP DOOR INDICATION SYSTEM

HTMX-8G Relay Box For Ramp Door

HTMX-8G Relay Box For Ramp Door 1)Chapter 2 of Part 4 of the "Steel Ship Classification Rules" of the China Classification Society; 2)IMO Resolution A.1021(26) Code on Alerts and Indicators, 2009. ...

ISO9001 Supplier

Class Certificate

Export Supply



Key Highlights

Category	HTM Ramp Door Indication System
Material	HTMX-8G Relay Box For Ramp Door 1)Chapter 2 of Part 4 of the "Steel Ship...
Certificate	ABS, LR, BV, DNVGL, NK, KR, IRS, RMRS, CCS

We can supply according to your requirement, drawings, class certificate needs, and delivery schedule.

Technical Specifications

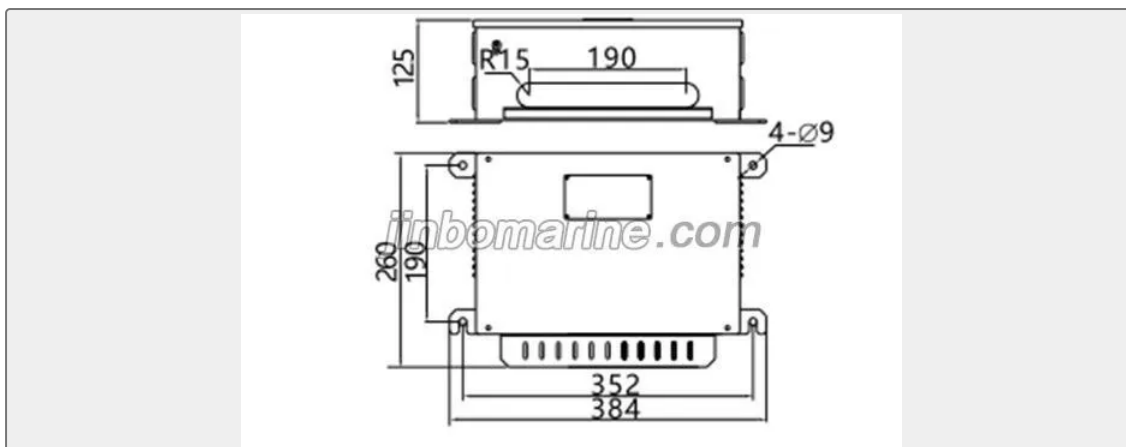
Category	HTM Ramp Door Indication System	Model / SKU	HTMX-8G-Relay-Box-For-Ramp-Door
Material	HTMX-8G Relay Box For Ramp Door 1)Chapter 2 of Part 4 of the "Steel Ship Classification Rules" of the China Classification Society;	Certificate	ABS, LR, BV, DNVGL, NK, KR, IRS, RMRS, CCS
Warranty	12 Months unless specified otherwise	Origin	China

China HTMX-8G Relay Box For Ramp Door:

HTMX-8G Relay Box For Ramp Door

1)Chapter 2 of Part 4 of the "Steel Ship Classification Rules" of the China Classification Society;
2)IMO Resolution A.1021(26) Code on Alerts and Indicators, 2009.





Colour: White RAL7035

Shell material: Q235B

Power supply: AC220V±10% , DC24V±10%

IP rating: IP22

Power output: 50W

Power consumption: 75W