

# Jinbo Marine

Marine & Offshore Equipment Datasheet

PRODUCT DATASHEET

## CKY MARINE PUBLIC ADDRESS SYSTEM

# HTX-1 HTX-3 Filberglass Antenna

HTX-1 HTX-3 Filberglass Antenna 1) Chapter 2 of Part 4 of the "Steel Ship Classification Rules" of the China Classification Society; 2) Chapter VII of International life-saving appliance code, annex, as amended by...

ISO9001 Supplier

Class Certificate

Export Supply



### Key Highlights

<b>Category</b>	CKY Marine Public Address System
<b>Standard</b>	EN
<b>Material</b>	HTX-1 HTX-3 Filberglass Antenna 1) Chapter 2 of Part 4 of the "Steel Shi...
<b>Certificate</b>	ABS, LR, BV, DNVGL, NK, KR, IRS, RMRS, CCS

We can supply according to your requirement, drawings, class certificate needs, and delivery schedule.

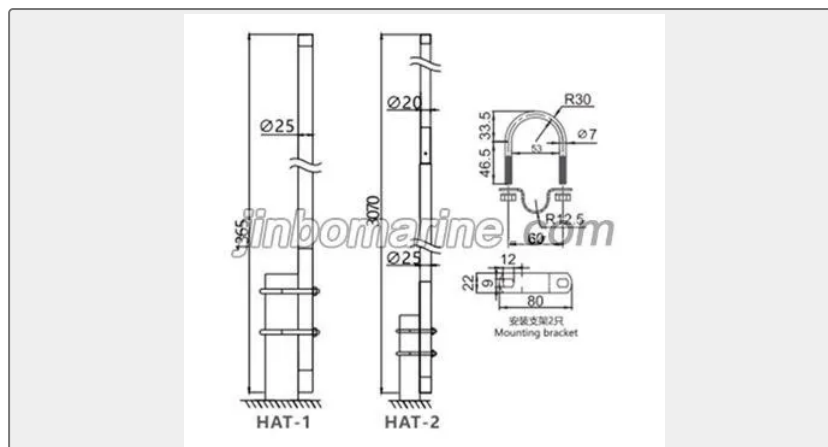
### Technical Specifications

<b>Category</b>	CKY Marine Public Address System	<b>Model / SKU</b>	HTX-1-HTX-3-Filberglass-Antenna
<b>Standard</b>	EN	<b>Material</b>	HTX-1 HTX-3 Filberglass Antenna 1) Chapter 2 of Part 4 of the "Steel Ship Classification Rules" of the China Classification Society;
<b>Certificate</b>	ABS, LR, BV, DNVGL, NK, KR, IRS, RMRS, CCS	<b>Warranty</b>	12 Months unless specified otherwise
<b>Origin</b>	China		

### China HTX-1 HTX-3 Filberglass Antenna:

HTX-1 HTX-3 Filberglass Antenna

- 1) Chapter 2 of Part 4 of the "Steel Ship Classification Rules" of the China Classification Society;
- 2) Chapter VII of International life-saving appliance code, annex, as amended by msc.218(82);
- 3) IMO resolution A. 1021 (26) code on "Alarm and indicators, 2009".



Colour: Magnetic White

Shell material:SMC

FM92-98MHZ

IP rating: IP56

HTX-1: 1.2meter

HTX-1: 3meter