

FIRE DETECTION AND ALARM SYSTEM

HY-M900K Manual Alarm Button

HY-M900K Manual Alarm Button 1)Chapter of international code for fire safety systems as amended by MSC.3119880; 2)Chapter of international code for fire safety systems as amended by MSC.339(91); 3)EN54-2:1997,Fire ...

- ISO9001 Supplier
- Class Certificate
- Export Supply



Key Highlights

Category	Fire Detection and Alarm System
Standard	EN
Material	Red Shell material:
Certificate	ABS, LR, BV, DNVGL, NK, KR, IRS, RMRS, CCS

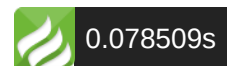
We can supply according to your requirement, drawings, class certificate needs, and delivery schedule.

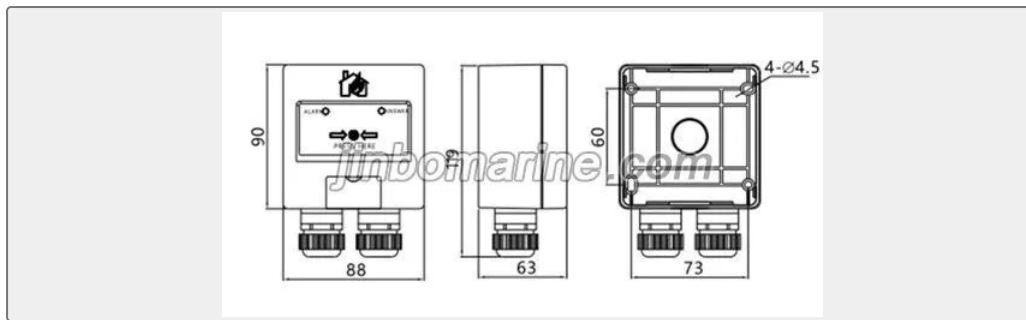
Technical Specifications			
Category	Fire Detection and Alarm System	Model / SKU	HY-M900K-Manual-Alarm-Button
Standard	EN	Material	Red Shell material:
Certificate	ABS, LR, BV, DNVGL, NK, KR, IRS, RMRS, CCS	Warranty	12 Months unless specified otherwise
Origin	China		

China HY-M900K Manual Alarm Button:

HY-M900K Manual Alarm Button

- 1)Chapter of international code for fire safety systems as amended by MSC.3119880;
- 2)Chapter of international code for fire safety systems as amended by MSC.339(91);
- 3)EN54-2:1997,Fire detection and fire alarm systems Part2:control and indicating equipment.





Colour: Red

Shell material: ABS Fire retardant

Working voltage: DC15V~33V

Monitor current: $\leq 5\mu\text{A}$

Alarm current: $\leq 30\text{mA}$

IP rating: IP44

The address is written by encoder