

## BRIDGE NAVIGATIONAL WATCH ALARM SYSTEM

## HZB-1Z-G Wall Mounted BNWAS Main Unit

ISO9001 Supplier

Class Certificate

Export Supply

HZB-1Z-G Wall Mounted BNWAS Main Unit 1)IMO Resolution MSC.128(75) Performance Standards for a Bridge Navigational Watch Alarm System(BNWAS) 2)IMO Resolution A.694(17)General Requirements to Shipborne Radio Equipm...



### Key Highlights

Category	Bridge Navigational Watch Alarm System
Standard	EN
Material	Dull black Shell material:
Certificate	ABS, LR, BV, DNVGL, NK, KR, IRS, RMRS, CCS

We can supply according to your requirement, drawings, class certificate needs, and delivery schedule.

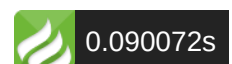
### Technical Specifications

Category	Bridge Navigational Watch Alarm System	Model / SKU	HZB-1Z-G-Wall-Mounted-BNWAS-Main-Unit
Standard	EN	Material	Dull black Shell material:
Certificate	ABS, LR, BV, DNVGL, NK, KR, IRS, RMRS, CCS	Warranty	12 Months unless specified otherwise
Origin	China		

### China HZB-1Z-G Wall Mounted BNWAS Main Unit:

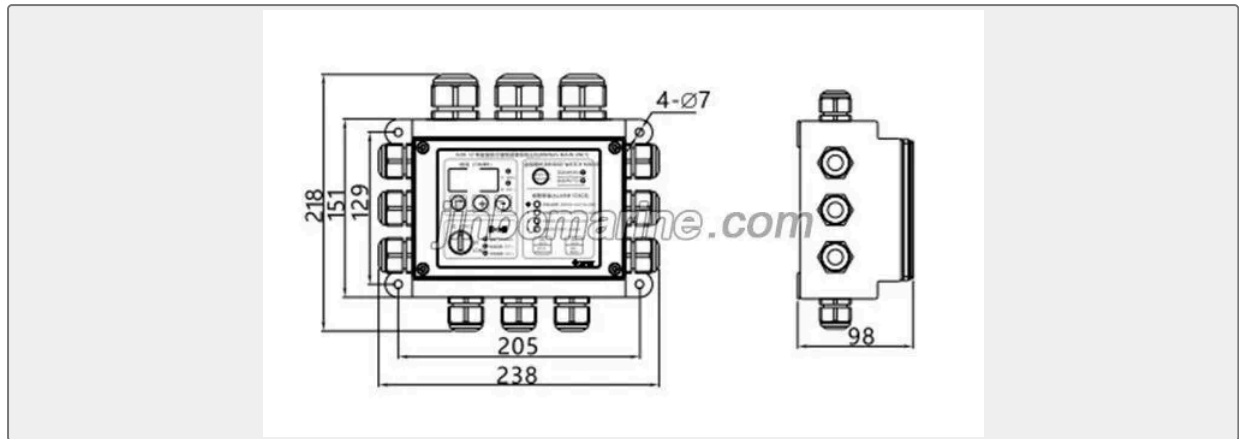
HZB-1Z-G Wall Mounted BNWAS Main Unit

- 1)IMO Resolution MSC.128(75) Performance Standards for a Bridge Navigational Watch Alarm System(BNWAS)
- 2)IMO Resolution A.694(17)General Requirements to Shipborne Radio Equipment Forming Part of the Global Maritime Distress and Safety System(GMDSS) and for Electronic Navigational Aids
- 3)IMO Resolution MSC.191(79) Performance Standards for the Presentation of Navigational-Related Information On



Shipborne Navigational Displays.

4)IMC60945:2002, Maritime navigation and radiocommunication equipment and systems--(ieneral requirements methods of testing and required test results)



Colour: Dull black

Shell material: ABS

Cable gland: 9-PG16+3-PG21

Power supply: 2xDC24V±10%

IP rating: IP44

Power consumption: 50W