

Jinbo Marine

Marine & Offshore Equipment Datasheet

PRODUCT DATASHEET

BRIDGE NAVIGATIONAL WATCH ALARM SYSTEM

HZB-XH-G BNWAS Signal Interface Unit

ISO9001 Supplier

Class Certificate

Export Supply

HZB-XH-G BNWAS Signal Interface Unit 1)IMO Resolution MSC.128(75) Performance Standards for a Bridge Navigational Watch Alarm System(BNWAS) 2)IMO Resolution A.694(17)General Requirements to Shipborne Radio Equipme...



Key Highlights

Category	Bridge Navigational Watch Alarm System
Standard	EN
Material	Dull black Shell material:
Certificate	ABS, LR, BV, DNVGL, NK, KR, IRS, RMRS, CCS

We can supply according to your requirement, drawings, class certificate needs, and delivery schedule.

Technical Specifications

Category	Bridge Navigational Watch Alarm System	Model / SKU	HZB-XH-G-BNWAS-Signal-Interface-Unit
Standard	EN	Material	Dull black Shell material:
Certificate	ABS, LR, BV, DNVGL, NK, KR, IRS, RMRS, CCS	Warranty	12 Months unless specified otherwise
Origin	China		

China HZB-XH-G BNWAS Signal Interface Unit:

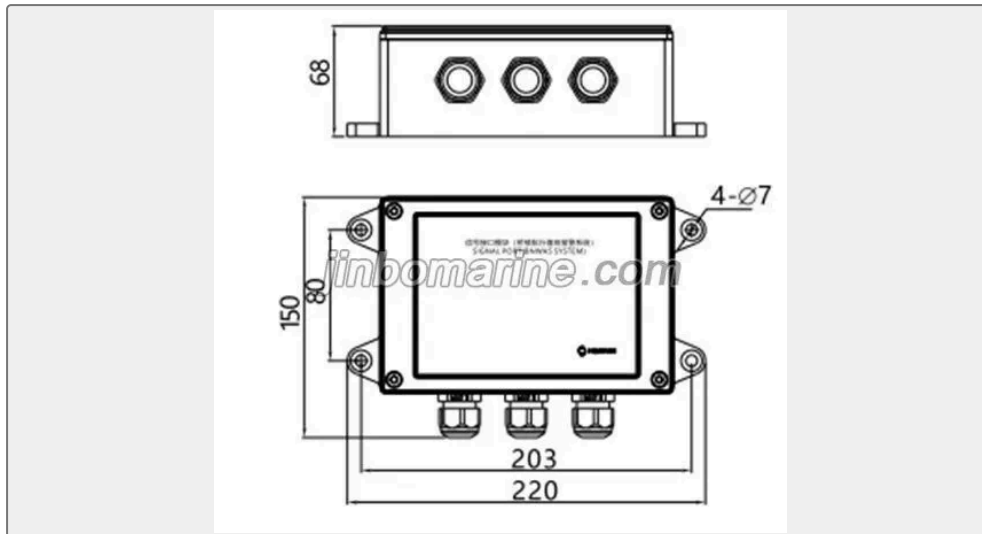
HZB-XH-G BNWAS Signal Interface Unit

- 1)IMO Resolution MSC.128(75) Performance Standards for a Bridge Navigational Watch Alarm System(BNWAS)
- 2)IMO Resolution A.694(17)General Requirements to Shipborne Radio Equipment Forming Part of the Global Maritime Distress and Safety System(GMDSS) and for Electronic Navigational Aids
- 3)IMO Resolution MSC.191(79) Performance Standards for the Presentation of Navigational-Related Information On



Shipborne Navigational Displays.

4)IMC60945:2002, Maritime navigation and radiocommunication equipment and systems--(general requirements methods of testing and required test results)



Colour: Dull black

Shell material: ABS

Cable gland: 3-PG13.5

Power supply: DC24V±10%

IP rating: IP44