

Jinbo Marine

Marine & Offshore Equipment Datasheet

PRODUCT DATASHEET

MARINE COVER

Hatch Cover for Suez Canal Light

Standard: CB3200-84,ISO5778-79, JIS F2321-79 It is used the hatch of suez canal light.

Material: Steel Main Size List(mm): Nominal Size Cut out ...

ISO9001 Supplier

Class Certificate

Export Supply



Key Highlights

| | |
|---------------|--|
| Category | Marine Cover |
| Standard | JIS |
| Material | Steel |
| Weight / Size | Steel Main Size List(mm): |
| Certificate | CCS, BV, ABS, GL, LR, DNV, NK,RINA, KR,IRS |

We can supply according to your requirement, drawings, class certificate needs, and delivery schedule.

Technical Specifications

| | | | |
|---------------|--------------------------------------|-------------|--|
| Category | Marine Cover | Model / SKU | Hatch-Cover-for-Suez-Canal-Light |
| Standard | JIS | Material | Steel |
| Weight / Size | Steel Main Size List(mm): | Certificate | CCS, BV, ABS, GL, LR, DNV, NK,RINA, KR,IRS |
| Warranty | 12 Months unless specified otherwise | Origin | China |

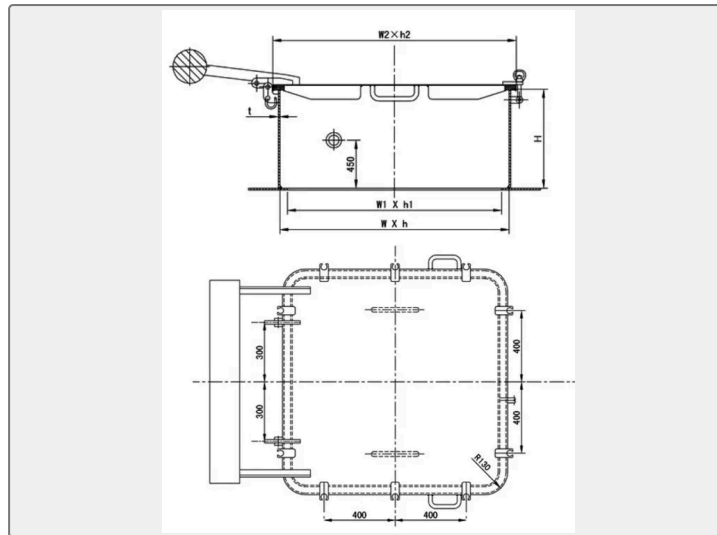
CONTENTS

- China Hatch Cover for Suez Canal Light:

- Main Size List(mm):



China Hatch Cover for Suez Canal Light:



Standard: CB3200-84,ISO5778-79, JIS F2321-79

It is used the hatch of suez canal light.

Material: Steel

Main Size List(mm):

| Nominal Size | Cut out Size | Cover Size | Coaming thickness | Coaming Height | Weight |
|--------------|--------------|------------|-------------------|----------------|--------|
| Wxh | W1xh1 | W2xh2 | t | H | kgs |
| 1200x1200 | 1180x1180 | 1258x1258 | 10 | 600 | 535.6 |