

# Jinbo Marine

Marine & Offshore Equipment Datasheet

PRODUCT DATASHEET

## CHAFE CHAIN

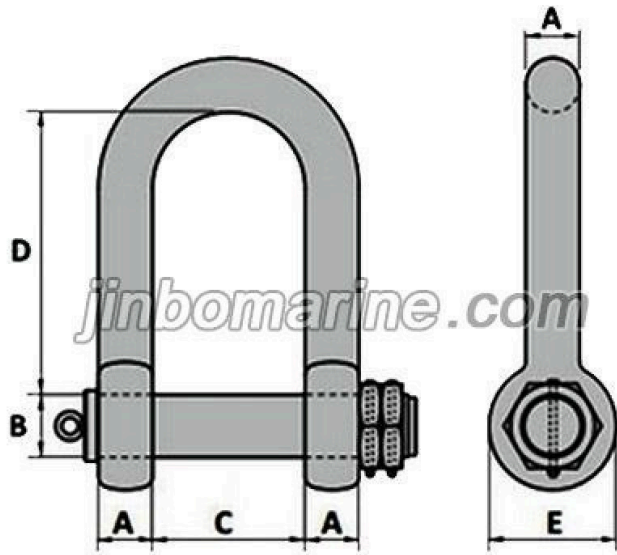
# Heavy Duty Hawser Shackle

Heavy Duty Hawser Shackle is one of double nuts shackle. Technical Specification Forged alloy Steel quenched and tempered. Finish: Galvanized or Painting. Proofload certificate ...

ISO9001 Supplier

Class Certificate

Export Supply



### Key Highlights

Category	Chafe Chain
Standard	EN
Material	Forged alloy Steel
Weight / Size	Proofload certificate SWL(Ton) MBL(Ton) Thimble Size(mm) A(mm) B(mm) C(m...
Certificate	ABS, LR, BV, DNVGL, NK, KR, IRS, RMRS, CCS

We can supply according to your requirement, drawings, class certificate needs, and delivery schedule.



Technical Specifications				
<b>Category</b>	Chafe Chain	<b>Model / SKU</b>	Heavy-Duty-Hawser-Shackle	
<b>Standard</b>	EN	<b>Material</b>	Forged alloy Steel	
<b>Weight / Size</b>	Proofload certificate SWL(Ton) MBL(Ton) Thimble Size(mm) A(mm) B(mm) C(mm) D(mm) E(mm) Weight(kg) 34 170 8 1/2"-10" 50 65 140 285 115 23 60 300 11"-13" 70 76 160 360 165 59 85 425 14"-15" 80 90 220 390 178 85 110 550 16"-18" 90 100 254 430 210 122 130 650 19"-21" 100 114 280 480 235 170 200 1000 22"-24" 125 133 300 600 265 282 225 1125 25"-27" 130 146 333 720 305 349 300 1500 28"-30" 140 165 366 850 305 490 Speical Heavy duty double nut shackle 200 498 18" 105 120 254 500 228 205 200 498 21" 115 125 280 520 238 244 250 612 15" 115 125 220 400 238 203 250 612 18" 125 130 254 500 238 248 250 612 21" 125 130 280 480 260 274	<b>Surface</b>	Galvanized	
<b>Certificate</b>	ABS, LR, BV, DNVGL, NK, KR, IRS, RMRS, CCS	<b>Warranty</b>	12 Months unless specified otherwise	
<b>Origin</b>	China			

<b>CONTENTS</b>	<ul style="list-style-type: none"> <li>■ China Heavy Duty Hawser Shackle:</li> <li>■ Technical Specification</li> </ul>
-----------------	---

## China Heavy Duty Hawser Shackle:

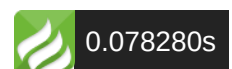
Heavy Duty Hawser Shackle is one of double nuts shackle.

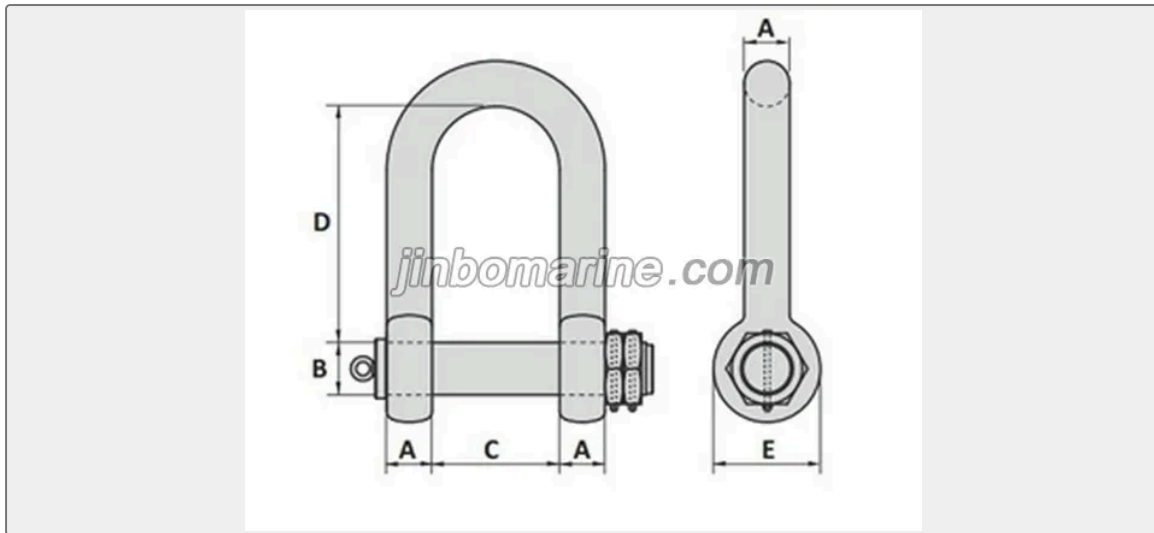
## Technical Specification

Forged alloy Steel quenched and tempered.

Finish: Galvanized or Painting.

Proofload certificate





SWL(Ton)	MBL(Ton)	Thimble Size(mm)	A(mm)	B(mm)	C(mm)	D(mm)	E(mm)	Weight(kg)
34	170	8 1/2"-10"	50	65	140	285	115	23
60	300	11"-13"	70	76	160	360	165	59
85	425	14"-15"	80	90	220	390	178	85
110	550	16"-18"	90	100	254	430	210	122
130	650	19"-21"	100	114	280	480	235	170
200	1000	22"-24"	125	133	300	600	265	282
225	1125	25"-27"	130	146	333	720	305	349
300	1500	28"-30"	140	165	366	850	305	490
Speical Heavy duty double nut shackle								
200	498	18"	105	120	254	500	228	205
200	498	21"	115	125	280	520	238	244
250	612	15"	115	125	220	400	238	203
250	612	18"	125	130	254	500	238	248
250	612	21"	125	130	280	480	260	274