

# Jinbo Marine

Marine & Offshore Equipment Datasheet

PRODUCT DATASHEET

## PV VALVE

# High Velocity PV Valve with Heating Device

ISO9001 Supplier

Class Certificate

Export Supply

High Velocity PV valve for cargo oil tank is generally used in the relief system of the oil tanker and chemical tanker, according to the current regulations IMO and IBC. The purpose of the high velocity valve is to provid...



## Key Highlights

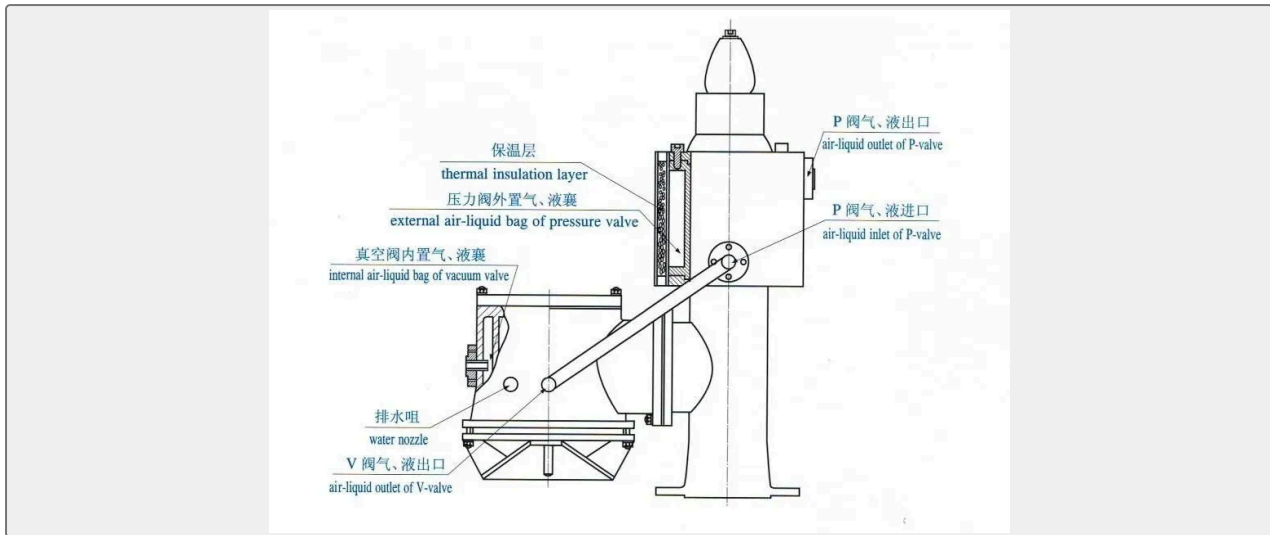
Category	PV VALVE
Standard	ISO
Material	Cast Steel or Stainless Steel
Certificate	CCS, BV, ABS, RMRS

We can supply according to your requirement, drawings, class certificate needs, and delivery schedule.

## Technical Specifications

Category	PV VALVE	Model / SKU	High-Velocity-PV-Valve-with-Heating-Device
Standard	ISO	Material	Cast Steel or Stainless Steel
Certificate	CCS, BV, ABS, RMRS	Warranty	12 Months unless specified otherwise
Origin	China		

## China High Velocity PV Valve with Heating Device:



High Velocity PV valve for cargo oil tank is generally used in the relief system of the oil tanker and chemical tanker, according to the current regulations IMO and IBC. The purpose of the high velocity valve is to provide automatic control of pressure differentials during liquid cargo ship loading, voyage, ballasting and de-ballasting without any manual operation, also, it provides auto-protection against fire and explosions on deck. Additionally in the event that the inert gas system can not supply gas promptly, the vacuum valve can auto open to protect the tank against excessive vacuum when de-ballasting on dock. Normal, when the pressure risen in tank because of temperature or loading, the pressure valve open automatically and vent gas. When the pressure of tank come to pressure differentials, the vacuum valve or pressure valve all can be automatic resetted. If an ignition occurs outside the tank space, the flames will be quenched in the flame trap.

In accordance with the requirements of ISO15364, if the vessel navigates constantly in the poor ice conditions, it is very likely that the crystallization of the goods happens due to the vapor condensation. So that the PV valve should be required with the heating device. The heating achieved by steam supplied by the vessel.

The heating device is with simple structure, can be heated circularly with hot steam and thermal fluid less than 1.2Mpa.

Certificate: CCS, BV, ABS, RMRS

Material: Stainless Steel, Cast Steel