

**MARINE WINCH**

# Hydraulic Towing Winch

Hydraulic Towing Winch General description Wild range towing capacity can fit different vessel for towing operation with electric or hydraulic power driven by electric or diesel engine. High quality, easy o...

- ISO9001 Supplier
- Class Certificate
- Export Supply



## Key Highlights

<b>Category</b>	Marine Winch
<b>Standard</b>	EN
<b>Material</b>	Cast steel,Stainless steel
<b>Certificate</b>	ABS,LR, BV, GL, CCS, RINA, IRS

We can supply according to your requirement, drawings, class certificate needs, and delivery schedule.

## Technical Specifications

<b>Category</b>	Marine Winch	<b>Model / SKU</b>	Hydraulic-Towing-Winch
<b>Standard</b>	EN	<b>Material</b>	Cast steel,Stainless steel
<b>Certificate</b>	ABS,LR, BV, GL, CCS, RINA, IRS	<b>Warranty</b>	12 Months unless specified otherwise
<b>Origin</b>	China		

<b>CONTENTS</b>	<ul style="list-style-type: none"> <li>■ Hydraulic Towing Winch</li> <li>■ Installation drawing</li> <li>■ Main Specification</li> </ul>	<ul style="list-style-type: none"> <li>■ General description</li> <li>■ Diesel engine drawing</li> </ul>
-----------------	--	--

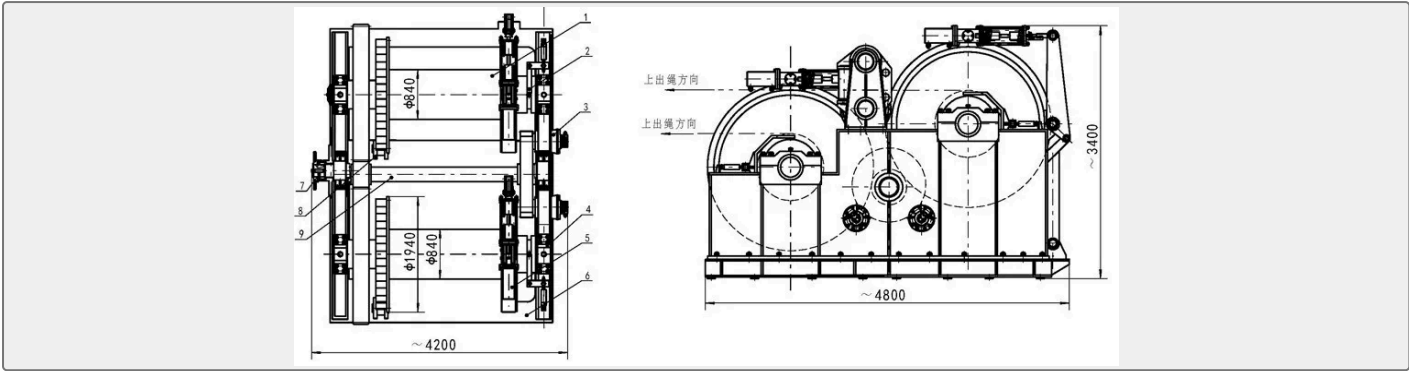
## Hydraulic Towing Winch

### General description

Wild range towing capacity can fit different vessel for towing operation with electric or hydraulic power driven by electric or diesel engine. High quality, easy operation, compact design, smooth operation for the lines without twisting

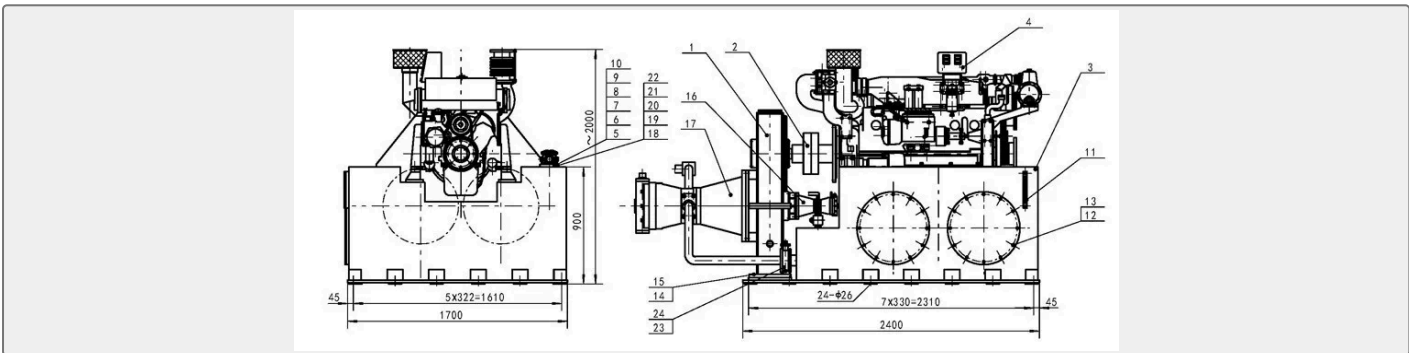


## Installation drawing



1.Main shaft 2.The clutch device 3.Hyd.motor 4.Shoulder 5.Brake 6.Foundation 7.Rope device 8.Detent 9.Intermediate shaft device

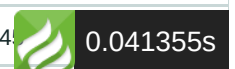
## Diesel engine drawing



1.Switch box 2.Coupling 3.Oil tank 4.Diesel engine 5.Valve block 6.Air cleaner 7.Oil filter 8.Relief valve 9.Pressure switch 10.Pressure metre 11.Oil level and temp metre 12.Bolt 13.Gasket 14.Bolt 15.Gasket 16.Plunger pump 17.Plunger pump 18.Change valve 19.Relief valve 20.One-way valve 21.Check valve 22.Close valve 23.butterfly valve 24.Coupling

## Main Specification

Description	Rated Pull	Rated Speed	Drum Capacity	Ele-Motor Power	Hydr-Motor Power
	(kN)	(m/min)	(m)	(kW)	(kW)
5kN Electric Towing Winch	5	≥12	Ø8×100	3/1.2	-
10kN Electric(Hydraulic) Towing Winch	10	≥12	Ø10×150	4.3/1.7	5.5
20kN Electric(Hydraulic) Towing Winch	20	≥12	Ø15×150	8.5/3.5	11
30kN Electric(Hydraulic)Towing Winch	30	≥15	Ø17×150	11/11/7.5	15
40kN Electric(Hydraulic)Towing Winch	40	≥15	Ø18×150	16/16/11	22
50kN Electric(Hydraulic)Towing Winch	50	≥15	Ø20.5×180	22/22/16	30
75kN Electric(Hydraulic)Towing Winch	75	≥15	Ø26×200	30/30/22	45
80kN Electric(Hydraulic)Towing Winch	80	≥15	Ø26×200	30/30/22	45
100kN Electric(Hydraulic)Towing Winch	100	≥15	Ø30×200	45/45/30	4



125kN Electric(Hydraulic)Towing Winch	125	≥15	Ø30×200	45/45/30	75
160kN Electric(Hydraulic)Towing Winch	160	≥15	Ø32×250	60/60/45	75
200kN Electric(Hydraulic)Towing Winch	200	≥9.6	Ø41×250	60/60/45	75
250kN Electric(Hydraulic)Towing Winch	250	≥9.6	Ø44.5×250	60/60/45	90
315kN Electric(Hydraulic)Towing Winch	315	≥7.8	Ø52×250	60/60/45	90
400kN Electric(Hydraulic)Towing Winch	400	≥7.8	Ø56×250	85/85/64	110
450kN Electric(Hydraulic)Towing Winch	450	≥7.8	Ø56×250	85/85/64	110
1500kN Electric(Hydraulic)Towing Winch	1500	≥4	Ø95×250	150/150/72	200
2000kN Electric(Hydraulic)Towing Winch	2000	≥4	Ø100×250	180/180/135	270