

Jinbo Marine

Marine & Offshore Equipment Datasheet

PRODUCT DATASHEET

MARINE KITCHEN GALLEY

I25-100 Marine Ironing Machine

I25-100 Marine Ironing Machine 1. This machine is specially designed for ironing flat and undamaged linen 2. Handy processor 3. With emergency switch on the front, it is safe to use and operate 4. Durable NOMEX ...

ISO9001 Supplier

Class Certificate

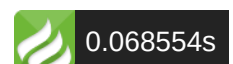
Export Supply



Key Highlights

Category	Marine Kitchen Galley
Standard	EN
Material	SS
Weight / Size	The base form is suitable for installation and fixation on ships I25-100...
Certificate	ABS, LR, BV, DNVGL, NK, KR, IRS, RMRS, CCS

We can supply according to your requirement, drawings, class certificate needs, and delivery schedule.



Technical Specifications			
Category	Marine Kitchen Galley	Model / SKU	I25-100-Marine-Ironing-Machine
Standard	EN	Material	SS
Weight / Size	The base form is suitable for installation and fixation on ships I25-100 Marine Ironing Machine Drawing I25-100 Marine Ironing Machine Parameters Model I25-100 I25-120 I25-140 I30-160 I30-200 Length 1000mm 1200mm 1400mm 1600mm 2000mm Voltage 380/415V-3PH-50Hz 440/480V-3PH-60Hz Power(kw) 5 6 7 13.2 16.8 Size(mm) 1400x420x1005 1600x420x1005 1800x420x1005 2200x500x1100 2600x500x1100 Weight(kg) 100 118 126 262 294	Certificate	ABS, LR, BV, DNVGL, NK, KR, IRS, RMRS, CCS
Warranty	12 Months unless specified otherwise	Origin	China

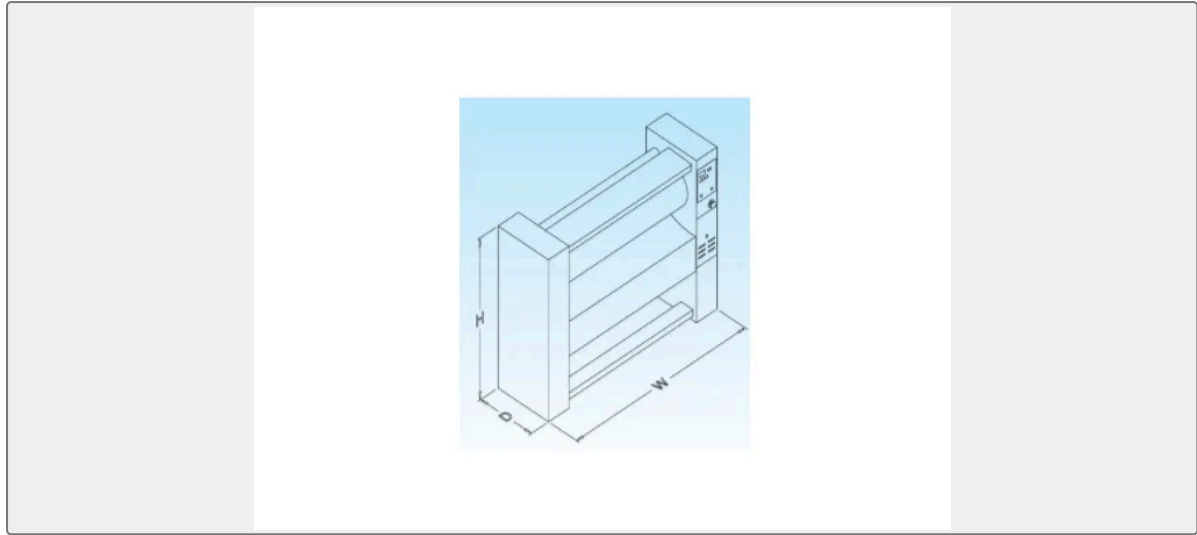
CONTENTS

- I25-100 Marine Ironing Machine
- I25-100 Marine Ironing Machine Parameters
- I25-100 Marine Ironing Machine Drawing

I25-100 Marine Ironing Machine

1. This machine is specially designed for ironing flat and undamaged linen
2. Handy processor
3. With emergency switch on the front, it is safe to use and operate
4. Durable NOMEX ironing tape
5. Automatic cooling
6. Europe's most advanced technology and process manufacturing
7. Frequency conversion control motor
8. The base form is suitable for installation and fixation on ships

I25-100 Marine Ironing Machine Drawing



I25-100 Marine Ironing Machine Parameters

Model	I25-100	I25-120	I25-140	I30-160	I30-200
Length	1000mm	1200mm	1400mm	1600mm	2000mm
Voltage	380/415V-3PH-50Hz 440/480V-3PH-60Hz				
Power(kw)	5	6	7	13.2	16.8
Size(mm)	1400x420x1005	1600x420x1005	1800x420x1005	2200x500x1100	2600x500x1100
Weight(kg)	100	118	126	262	294