

Jinbo Marine

Marine & Offshore Equipment Datasheet

PRODUCT DATASHEET

INCANDESCENT LIGHT

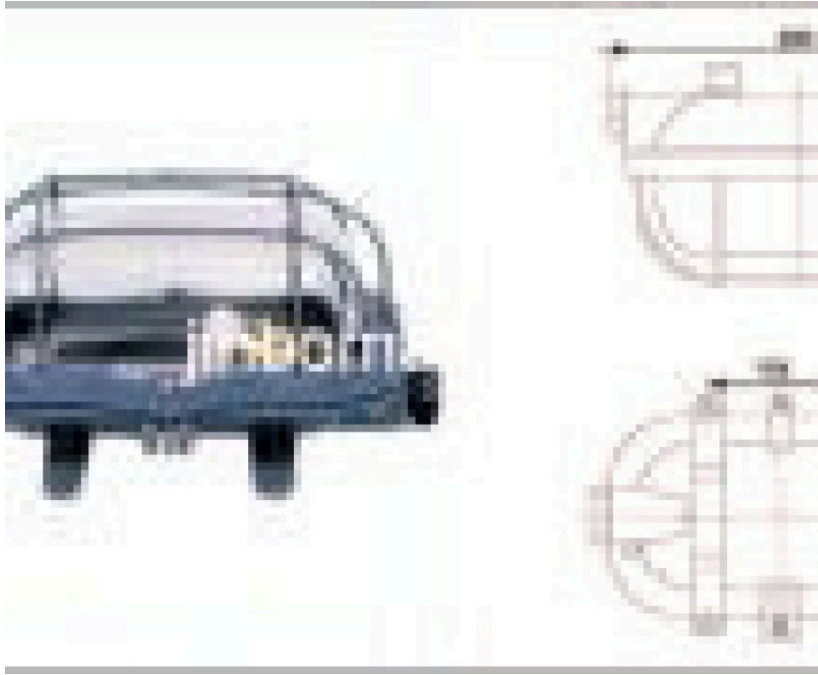
Incandescent Light CCD2-1-2

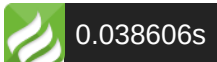
Type Voltage Power Lamp Holder Weight(kg) Material ...

ISO9001 Supplier

Class Certificate

Export Supply

	Key Highlights	
	Category	Incandescent Light
	Standard	EN
	Material	Type Voltage Power Lamp Holder Weight(kg) Material Protection Class CCD1...
	Weight / Size	Type Voltage Power Lamp Holder Weight(kg) Material Protection Class CCD1...
Certificate	ABS, LR, BV, DNVGL, NK, KR, IRS, RMRS, CCS	
<p>We can supply according to your requirement, drawings, class certificate needs, and delivery schedule.</p>		



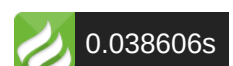
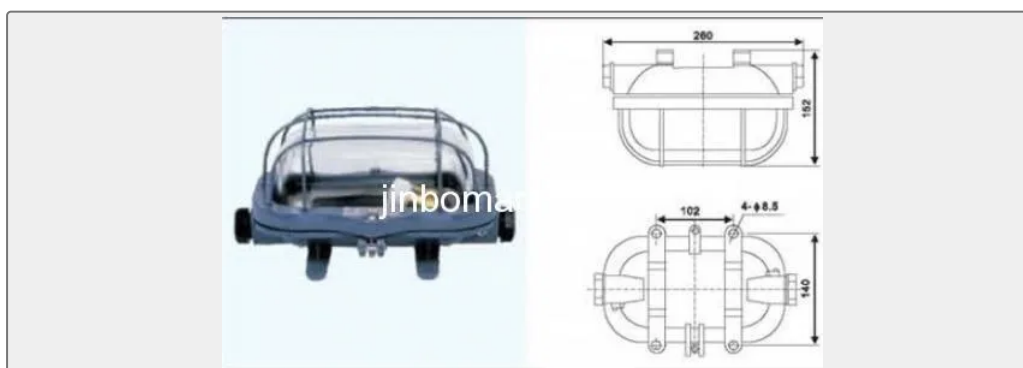
Technical Specifications

Category	Incandescent Light	Model / SKU	Incandescent-Light-CCD2-1-2
Standard	EN	Material	Type Voltage Power Lamp Holder Weight(kg) Material Protection Class CCD1-2 220V 60W E27 1.7 Steel IP55 CCD1-2A 220V 60W E27 1.0 Plastic IP55 CCD2-1-2 220V 60W E27 2.05 Aluminum IP55 CCD3-2 24V 25W B15d 0.45 Plastic IP55 CCD3-3 24V 25W B15d 0.45 Plastic IP55 CCD4-1 220V 60W E27 2.3 Aluminum IP55 CCD4-1J 220V 60W E27 2.4 Aluminum IP55 CCD5-2 24V 25W B15d 0.75 Aluminum IP55 CCD6-2 220V 60W E27 1.05 Aluminum IP55 CCD7 220V 60W E27 1.8 Steel IP55 CCD9-2-2 220V 60W E27 1.75 Steel IP55 CCD9-3-2 220V 60W E27 2.05 Steel IP55 CCD9-5 220V 60W E27 2.5 Copper IP55 CCD9-5A 24V 25W B15d 2.5 Copper IP55 CCD9-6 220V 60W E27 4.45 Copper IP55 CCD9-6A 24V 25W B15d 4.45 Copper IP55 CCD10-1 220V 60W E27 1.75 Aluminum IP55 CCD10-2 220V 60W E27 1.0 Aluminum IP55 CCD11-A 220V 60W E27 3.5 Stainless steel IP55 CCD11-B 220V 60W E27 4.0 Stainless steel IP55 CCD12-1 220V 60W E27 1.05 Aluminum IP55 CCD12-2 220V 60W E27 0.9 Aluminum IP55 CCD15-2 220V 60W E27 1.9 Copper IP55



<p>Weight / Size</p>	<p>Type Voltage Power Lamp Holder Weight(kg) Material Protection Class CCD1-2 220V 60W E27 1.7 Steel IP55 CCD1-2A 220V 60W E27 1.0 Plastic IP55 CCD2-1-2 220V 60W E27 2.05 Aluminum IP55 CCD3-2 24V 25W B15d 0.45 Plastic IP55 CCD3-3 24V 25W B15d 0.45 Plastic IP55 CCD4-1 220V 60W E27 2.3 Aluminum IP55 CCD4-1J 220V 60W E27 2.4 Aluminum IP55 CCD5-2 24V 25W B15d 0.75 Aluminum IP55 CCD6-2 220V 60W E27 1.05 Aluminum IP55 CCD7 220V 60W E27 1.8 Steel IP55 CCD9-2-2 220V 60W E27 1.75 Steel IP55 CCD9-3-2 220V 60W E27 2.05 Steel IP55 CCD9-5 220V 60W E27 2.5 Copper IP55 CCD9-5A 24V 25W B15d 2.5 Copper IP55 CCD9-6 220V 60W E27 4.45 Copper IP55 CCD9-6A 24V 25W B15d 4.45 Copper IP55 CCD10-1 220V 60W E27 1.75 Aluminum IP55 CCD10-2 220V 60W E27 1.0 Aluminum IP55 CCD11-A 220V 60W E27 3.5 Stainless steel IP55 CCD11-B 220V 60W E27 4.0 Stainless steel IP55 CCD12-1 220V 60W E27 1.05 Aluminum IP55 CCD12-2 220V 60W E27 0.9 Aluminum IP55 CCD15-2 220V 60W E27 1.9 Copper IP55</p>	<p>Certificate</p> <p>ABS, LR, BV, DNVGL, NK, KR, IRS, RMRS, CCS</p>
<p>Warranty</p>	<p>12 Months unless specified otherwise</p>	<p>Origin</p> <p>China</p>

China Incandescent Light CCD2-1-2:



Type	Voltage	Power	Lamp Holder	Weight(kg)	Material	Protection Class
CCD1-2	220V	60W	E27	1.7	Steel	IP55
CCD1-2A	220V	60W	E27	1.0	Plastic	IP55
CCD2-1-2	220V	60W	E27	2.05	Aluminum	IP55
CCD3-2	24V	25W	B15d	0.45	Plastic	IP55
CCD3-3	24V	25W	B15d	0.45	Plastic	IP55
CCD4-1	220V	60W	E27	2.3	Aluminum	IP55
CCD4-1J	220V	60W	E27	2.4	Aluminum	IP55
CCD5-2	24V	25W	B15d	0.75	Aluminum	IP55
CCD6-2	220V	60W	E27	1.05	Aluminum	IP55
CCD7	220V	60W	E27	1.8	Steel	IP55
CCD9-2-2	220V	60W	E27	1.75	Steel	IP55
CCD9-3-2	220V	60W	E27	2.05	Steel	IP55
CCD9-5	220V	60W	E27	2.5	Copper	IP55
CCD9-5A	24V	25W	B15d	2.5	Copper	IP55
CCD9-6	220V	60W	E27	4.45	Copper	IP55
CCD9-6A	24V	25W	B15d	4.45	Copper	IP55
CCD10-1	220V	60W	E27	1.75	Aluminum	IP55
CCD10-2	220V	60W	E27	1.0	Aluminum	IP55
CCD11-A	220V	60W	E27	3.5	Stainless steel	IP55
CCD11-B	220V	60W	E27	4.0	Stainless steel	IP55
CCD12-1	220V	60W	E27	1.05	Aluminum	IP55
CCD12-2	220V	60W	E27	0.9	Aluminum	IP55
CCD15-2	220V	60W	E27	1.9	Copper	IP55