

# Jinbo Marine

Marine &amp; Offshore Equipment Datasheet

PRODUCT DATASHEET

## CHAIN SLING

# Industrial Equipment Hoisting Lifting Side rotating rings


ISO9001 Supplier

Class Certificate

Export Supply

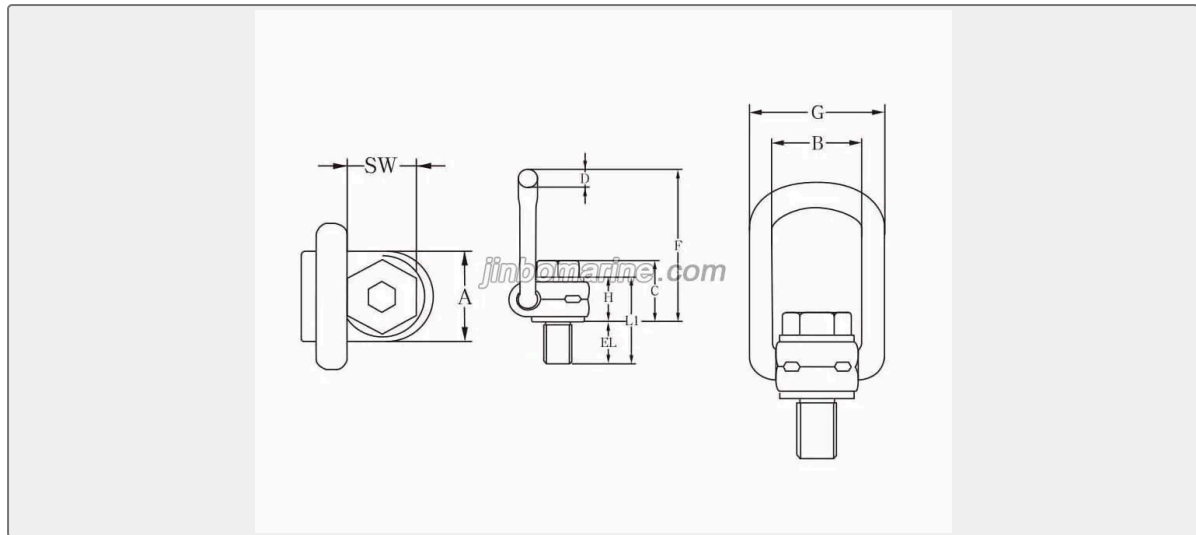
Model Tension &amp;nbsp;T Bolt Size Size ( mm ) Net Weight (KG) ...

Key Highlights	
Category	Chain Sling
Standard	EN
Material	Alloy Steel Forging
Weight / Size	Model Tension T Bolt Size Size ( mm ) Net Weight (KG) C E L A B D F S YD-08...
Certificate	ABS, LR, BV, DNVGL, NK, KR, IRS, RMRS, CCS
We can supply according to your requirement, drawings, class certificate needs, and delivery schedule.	



Technical Specifications			
<b>Category</b>	Chain Sling	<b>Model / SKU</b>	Industrial-Equipment-Hoisting-Lifting-Side-rotating-rings
<b>Standard</b>	EN	<b>Material</b>	Alloy Steel Forging
<b>Weight / Size</b>	<p>Model Tension T Bolt Size Size ( mm ) Net Weight (KG) C EL A B D F S YD-081-003 0.3 M 8×1.25×45 34 15 30 56 10 95 6 0.25 YD-081-006 0.6 M10×1.50×50 34 20 30 56 10 95 6 0.35 YD-081-010 1 M12×1.75×65 45 25 40 66 13 120 8 0.6 YD-081- 012 1.2 M14×2.0× 65 45 25 40 66 13 120 10 0.6 YD-081-015 1.5 M16×2.0× 65 45 25 40 66 13 120 10 0.6 YD-081-020 2 M18×2.0× 95 65 30 61 98 16 150 12 1.4 YD- 081-025 2.5 M20×2.5×105 65 40 61 98 16 150 12 1.4 YD-081-040 4 M24×3.0×105 65 40 61 98 16 150 14 1.5 YD-081-042 4 M27×3.0×105 70 40 66 116 23 185 17 2.9 YD-081-050 5 M30×3.5×115 70 55 66 116 23 185 17 3.2 YD-081-070 7 M36×4.0×120 70 60 66 116 23 185 22 3.4 YD-081-080 8 M36×4.0×145 86 65 80 140 27 240 22 5.9 YD-081-100 10 M42×4.5×155 86 75 80 140 27 240 24 6.4 YD-081-150 15 M42×4.5×155 105 65 100 178 36 265 24 11 YD-081-200 20 M48×5.0×165 105 75 100 178 36 265 27 11.8</p>	<b>Certificate</b>	ABS, LR, BV, DNVGL, NK, KR, IRS, RMRS, CCS
<b>Warranty</b>	12 Months unless specified otherwise	<b>Origin</b>	China

## China Industrial Equipment Hoisting Lifting Side rotating rings:



Model	Tension T	Bolt Size	Size ( mm )	Net Weight (KG)						
C	EL	A	B	D	F	S				
YD-081-003	0.3	M 8×1.25×45	34	15	30	56	10	95	6	0.25
YD-081-006	0.6	M10×1.50×50	34	20	30	56	10	95	6	0.35
YD-081-010	1	M12×1.75×65	45	25	40	66	13	120	8	0.6
YD-081-012	1.2	M14×2.0× 65	45	25	40	66	13	120	10	0.6
YD-081-015	1.5	M16×2.0× 65	45	25	40	66	13	120	10	0.6
YD-081-020	2	M18×2.0× 95	65	30	61	98	16	150	12	1.4
YD-081-025	2.5	M20×2.5×105	65	40	61	98	16	150	12	1.4
YD-081-040	4	M24×3.0×105	65	40	61	98	16	150	14	1.5
YD-081-042	4	M27×3.0×105	70	40	66	116	23	185	17	2.9
YD-081-050	5	M30×3.5×115	70	55	66	116	23	185	17	3.2
YD-081-070	7	M36×4.0×120	70	60	66	116	23	185	22	3.4
YD-081-080	8	M36×4.0×145	86	65	80	140	27	240	22	5.9
YD-081-100	10	M42×4.5×155	86	75	80	140	27	240	24	6.4
YD-081-150	15	M42×4.5×155	105	65	100	178	36	265	24	11
YD-081-200	20	M48×5.0×165	105	75	100	178	36	265	27	11.8