

Jinbo Marine

Marine & Offshore Equipment Datasheet

PRODUCT DATASHEET

CHAIN SLING

Industrial Equipment Hoisting Universal Rotating Rings

- ISO9001 Supplier
- Class Certificate
- Export Supply

Item Model Size Load WLL(T) Technical Data Net Weight (kg) L A B ...



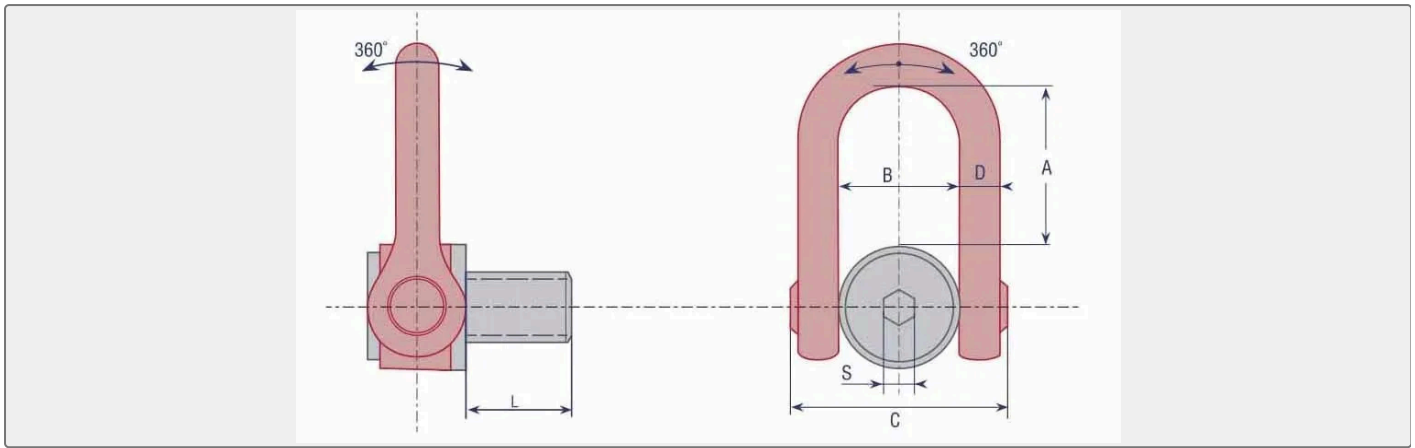
Key Highlights

Category	Chain Sling
Standard	EN
Material	Alloy Steel Forging
Weight / Size	Item Model Size Load WLL(T) Technical Data Net Weight (kg) L A B C D S Y...
Certificate	ABS, LR, BV, DNVGL, NK, KR, IRS, RMRS, CCS

We can supply according to your requirement, drawings, class certificate needs, and delivery schedule.

Technical Specifications			
Category	Chain Sling	Model / SKU	Industrial-Equipment-Hoisting-Universal-Rotating-Rings
Standard	EN	Material	Alloy Steel Forging
Weight / Size	<p>Item Model Size Load WLL(T) Technical Data Net Weight (kg) L A B C D S YSD-M20 M20x2.5 -6g 2.5 40 104 73 145 29 20 5 YSD-M24 M24x3.0-6g 4.2 40 104 73 145 29 20 5 YSD-M30 M30x3.5-6g 7.3 45 104 73 145 29 20 5.5 YSD-M33 M33x3.5-6g 8 50 104 73 145 29 20 5.5 YSD-M36 M36x4.0-6g 10 54 104 73 145 29 20 5.5 YSD-M39 M39x4.0-6g 10 58 104 73 145 29 20 5.7 YSD-M42 M42x4.5-6g 12.5 63 104 73 145 29 20 5.8 YSD-M45 M45x4.5-6g 15 63 104 73 145 29 20 5.8 YSD- M48 M48x5.0-6g 20 68 125 91 184 33 20 11 YSD-M52 M52x5.0- 6g 20 68 125 91 184 33 20 11.2 YSD-M56 M56x5.5-6g 25 78 125 91 184 33 20 11.3 YSD-M64 M64x6.0-6g 32 90 125 91 184 33 20 12.2 YSD-M72 M72x6.0-6g 32 95 125 91 184 33 20 14 YSD-M80 M80x6.0-6g 32 100 125 91 184 33 20 14.5 YSD-M90 M90x6.0-6g 32 100 125 91 184 33 20 15 YSD- M100 M100x6.0-6g 32 120 125 91 184 33 20 16.5</p>	Certificate	ABS, LR, BV, DNVGL, NK, KR, IRS, RMRS, CCS
Warranty	12 Months unless specified otherwise	Origin	China

China Industrial Equipment Hoisting Universal Rotating Rings:



Item Model	Size	Load WLL(T)	Technical Data					Net Weight (kg)	S
			L	A	B	C	D		
YSD-M20	M20x2.5 -6g	2.5	40	104	73	145	29	20	5
YSD-M24	M24x3.0-6g	4.2	40	104	73	145	29	20	5
YSD-M30	M30x3.5-6g	7.3	45	104	73	145	29	20	5.5
YSD-M33	M33x3.5-6g	8	50	104	73	145	29	20	5.5
YSD-M36	M36x4.0-6g	10	54	104	73	145	29	20	5.5
YSD-M39	M39x4.0-6g	10	58	104	73	145	29	20	5.7
YSD-M42	M42x4.5-6g	12.5	63	104	73	145	29	20	5.8
YSD-M45	M45x4.5-6g	15	63	104	73	145	29	20	5.8
YSD-M48	M48x5.0-6g	20	68	125	91	184	33	20	11
YSD-M52	M52x5.0-6g	20	68	125	91	184	33	20	11.2
YSD-M56	M56x5.5-6g	25	78	125	91	184	33	20	11.3
YSD-M64	M64x6.0-6g	32	90	125	91	184	33	20	12.2
YSD-M72	M72x6.0-6g	32	95	125	91	184	33	20	14
YSD-M80	M80x6.0-6g	32	100	125	91	184	33	20	14.5
YSD-M90	M90x6.0-6g	32	100	125	91	184	33	20	15
YSD-M100	M100x6.0-6g	32	120	125	91	184	33	20	16.5