

CHAIN SLING

Industrial Equipment Lifting Point G80 bolt Lifting Point

ISO9001 Supplier

Class Certificate

Export Supply

 Specification T MAX Tension T A mm B mm D mm M mm H mm
Weight KG ...



Key Highlights

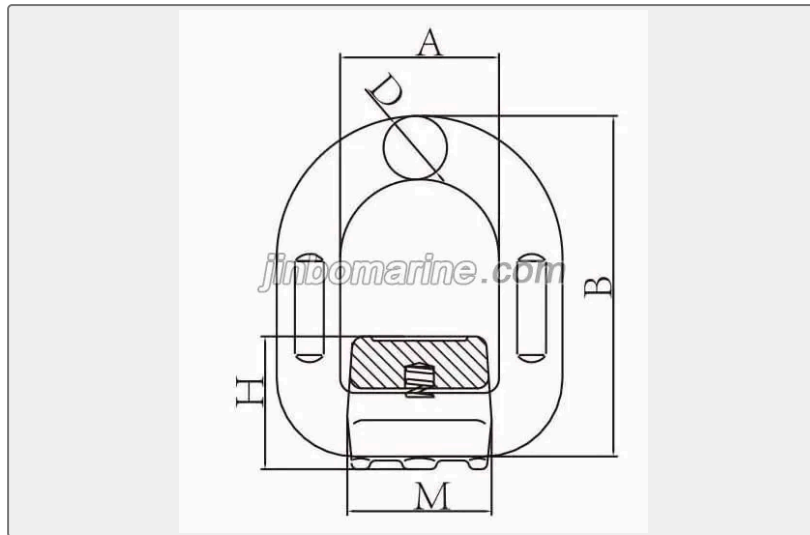
| | |
|---------------|---|
| Category | Chain Sling |
| Standard | EN |
| Material | Alloy Steel Forging |
| Weight / Size | Specification T MAX Tension T A mm B mm D mm M mm H mm Weight KG 1 4... |
| Certificate | ABS, LR, BV, DNVGL, NK, KR, IRS, RMRS, CCS |

We can supply according to your requirement, drawings, class certificate needs, and delivery schedule.

Technical Specifications

| | | | |
|---------------|---|-------------|---|
| Category | Chain Sling | Model / SKU | Industrial-Equipment-Lifting-Point-G80-bolt-Lifting-Point |
| Standard | EN | Material | Alloy Steel Forging |
| Weight / Size | Specification T MAX Tension T A mm B mm D mm M mm H mm Weight KG 1 4.48 41 78.5 13 37 35 0.4 2 8 42 88 14 40 37 0.47 3 12.8 45 94 17 42.5 40 0.69 5 21.2 55 118 22 50 52 1.46 8 32 70 141 26.5 66.5 57 2.5 15 60 97 188 34 90 77 5.79 | Certificate | ABS, LR, BV, DNVGL, NK, KR, IRS, RMRS, CCS |
| Warranty | 12 Months unless specified otherwise | Origin | China |

China Industrial Equipment Lifting Point G80 bolt Lifting Point:



| Specification T | MAX Tension T | A mm | B mm | D mm | M mm | H mm | Weight KG |
|-----------------|---------------|------|------|------|------|------|-----------|
| 1 | 4.48 | 41 | 78.5 | 13 | 37 | 35 | 0.4 |
| 2 | 8 | 42 | 88 | 14 | 40 | 37 | 0.47 |
| 3 | 12.8 | 45 | 94 | 17 | 42.5 | 40 | 0.69 |
| 5 | 21.2 | 55 | 118 | 22 | 50 | 52 | 1.46 |
| 8 | 32 | 70 | 141 | 26.5 | 66.5 | 57 | 2.5 |
| 15 | 60 | 97 | 188 | 34 | 90 | 77 | 5.79 |