

CHAIN SLING

Industrial Equipment Lifting Point Gravity Rotating Ring

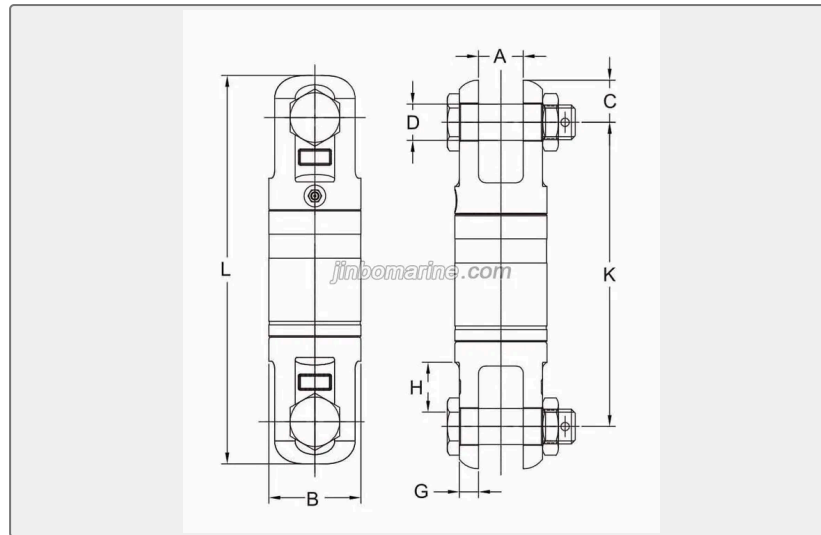
mm T B K L C A D G H Kg ...

- ISO9001 Supplier
- Class Certificate
- Export Supply

	<h3 style="margin: 0;">Key Highlights</h3> <table border="1" style="width: 100%; border-collapse: collapse;"> <tr> <td style="width: 20%;">Category</td> <td>Chain Sling</td> </tr> <tr> <td>Standard</td> <td>EN</td> </tr> <tr> <td>Material</td> <td>Alloy Steel Forging</td> </tr> <tr> <td>Weight / Size</td> <td>mm T B K L C A D G H Kg 6 0.75 32 103 128 13 15 10 6 22 0.5 10 1.5 40 11.2 152 20 18 13 8 26 1.1 13 3 51 158 208 25 23 19 10 32 2.2 16 5 64 200 261 31 32 22 14 37 4.4 19 8.5 76 252 320 34 40 30 14 54 7.5 22 10 102 316 412 48 42 38 25 54 19.5 25 15 108 316 420 52 48 38 25 57 22.1 32 25 132 374 503 65 62 51 30 70 39.5 38 35 132 374 503 65 62 51 30 70 46.2</td> </tr> <tr> <td>Certificate</td> <td>ABS, LR, BV, DNVGL, NK, KR, IRS, RMRS, CCS</td> </tr> </table> <p style="font-size: small; margin-top: 10px;">We can supply according to your requirement, drawings, class certificate needs, and delivery schedule.</p>	Category	Chain Sling	Standard	EN	Material	Alloy Steel Forging	Weight / Size	mm T B K L C A D G H Kg 6 0.75 32 103 128 13 15 10 6 22 0.5 10 1.5 40 11.2 152 20 18 13 8 26 1.1 13 3 51 158 208 25 23 19 10 32 2.2 16 5 64 200 261 31 32 22 14 37 4.4 19 8.5 76 252 320 34 40 30 14 54 7.5 22 10 102 316 412 48 42 38 25 54 19.5 25 15 108 316 420 52 48 38 25 57 22.1 32 25 132 374 503 65 62 51 30 70 39.5 38 35 132 374 503 65 62 51 30 70 46.2	Certificate	ABS, LR, BV, DNVGL, NK, KR, IRS, RMRS, CCS
Category	Chain Sling										
Standard	EN										
Material	Alloy Steel Forging										
Weight / Size	mm T B K L C A D G H Kg 6 0.75 32 103 128 13 15 10 6 22 0.5 10 1.5 40 11.2 152 20 18 13 8 26 1.1 13 3 51 158 208 25 23 19 10 32 2.2 16 5 64 200 261 31 32 22 14 37 4.4 19 8.5 76 252 320 34 40 30 14 54 7.5 22 10 102 316 412 48 42 38 25 54 19.5 25 15 108 316 420 52 48 38 25 57 22.1 32 25 132 374 503 65 62 51 30 70 39.5 38 35 132 374 503 65 62 51 30 70 46.2										
Certificate	ABS, LR, BV, DNVGL, NK, KR, IRS, RMRS, CCS										

Technical Specifications			
Category	Chain Sling	Model / SKU	Industrial-Equipment-Lifting-Point-Gravity-Rotating-Ring
Standard	EN	Material	Alloy Steel Forging
Weight / Size	mm T B K L C A D G H Kg 6 0.75 32 103 128 13 15 10 6 22 0.5 10 1.5 40 11.2 152 20 18 13 8 26 1.1 13 3 51 158 208 25 23 19 10 32 2.2 16 5 64 200 261 31 32 22 14 37 4.4 19 8.5 76 252 320 34 40 30 14 54 7.5 22 10 102 316 412 48 42 38 25 54 19.5 25 15 108 316 420 52 48 38 25 57 22.1 32 25 132 374 503 65 62 51 30 70 39.5 38 35 132 374 503 65 62 51 30 70 46.2	Certificate	ABS, LR, BV, DNVGL, NK, KR, IRS, RMRS, CCS
Warranty	12 Months unless specified otherwise	Origin	China

China Industrial Equipment Lifting Point Gravity Rotating Ring:



mm	T	B	K	L	C	A	D	G	H	Kg
6	0.75	32	103	128	13	15	10	6	22	0.5
10	1.5	40	112	152	20	18	13	8	26	1.1
13	3	51	158	208	25	23	19	10	32	2.2
16	5	64	200	261	31	32	22	14	37	4.4
19	8.5	76	252	320	34	40	30	14	54	7.5
22	10	102	316	412	48	42	38	25	54	19.5
25	15	108	316	420	52	48	38	25	57	22.1
32	25	132	374	503	65	62	51	30	70	39.5
38	35	132	374	503	65	62	51	30	70	46.2