

Jinbo Marine

Marine & Offshore Equipment Datasheet

PRODUCT DATASHEET

CB MARINE SOUNDING DEVICE

Inject Head Type A CB/T3778-1999

Inject Head also can be called as brass plug, sounding head, sounding pipe head. There are type A, type B and Type C. Type A is the inject head for steel deck, Type B is the inject head for wood deck, Type C is the lift ...

ISO9001 Supplier

Class Certificate

Export Supply



Key Highlights

Category	CB Marine Sounding Device
Standard	JIS
Material	Carbon Steel & Brass
Weight / Size	WCB Main Size List(mm):
Certificate	Mill Certificate

We can supply according to your requirement, drawings, class certificate needs, and delivery schedule.

Technical Specifications

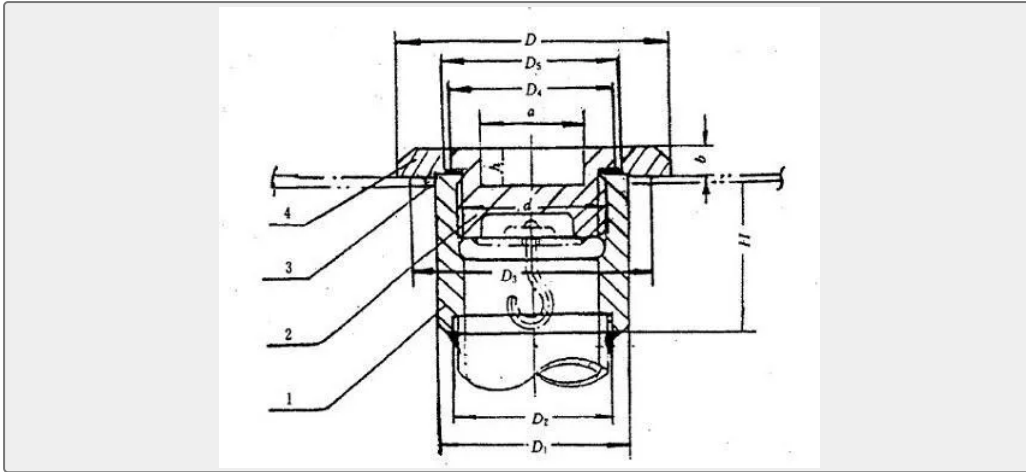
Category	CB Marine Sounding Device	Model / SKU	Inject-Head-Type-A-CB-T3778-1999
Standard	JIS	Material	Carbon Steel & Brass
Weight / Size	WCB Main Size List(mm):	Certificate	Mill Certificate
Warranty	12 Months unless specified otherwise	Origin	China

CONTENTS

- China Inject Head Type A CB/T3778-1999:
- Main Size List(mm):
- Material:

 0.044283s

China Inject Head Type A CB/T3778-1999:



Inject Head also can be called as brass plug, sounding head, sounding pipe head. There are type A, type B and Type C. Type A is the inject head for steel deck, Type B is the inject head for wood deck, Type C is the lift inject head.

The inject head must pass the seal test with the water pressure 0.11Mpa, and last for 5minutes.

Standard: CB/T3778-1999, JIS F3002

Material:

1-Body: Carbon Steel

2-Cover: Brass

3-Gasket: NBR

4-Welded Plate: WCB

Main Size List(mm):

DN	H	D1	D2	D3	D4	a	B	h	d	D	D5	b	Weight(kgs)
40	60	64	50	70	57	34	6	10	M45*3	90	59	6	0.96
50	65	76	62	82	76	34	6	10	M60*3	113	78	6	1.40
65	70	96	82	102	92	34	6	10	M76*3	125	94	6	1.82
80	75	109	93	115	106	55	10	14	M90*3	145	108	10	2.81
100	80	134	118	140	126	55	10	14	M115*3	170	128	10	4.62
150	100	188	172	194	178	55	10	14	M165*3	210	180	10	9.58