

Jinbo Marine

Marine & Offshore Equipment Datasheet

PRODUCT DATASHEET

CB MARINE SOUNDING DEVICE

Inject Head Type C CB/T3778-1999

Inject Head is also called as brass plug, sounding head, sounding pipe head. There are type A, type B and Type C. Type A is the inject head for steel deck, Type B is the inject head for wood deck, Type C is the lift inje...

ISO9001 Supplier

Class Certificate

Export Supply



Key Highlights

Category	CB Marine Sounding Device
Standard	DIN
Material	Carbon Steel & Brass
Weight / Size	WCB Main Size List(mm):
Certificate	Mill Certificate

We can supply according to your requirement, drawings, class certificate needs, and delivery schedule.

Technical Specifications

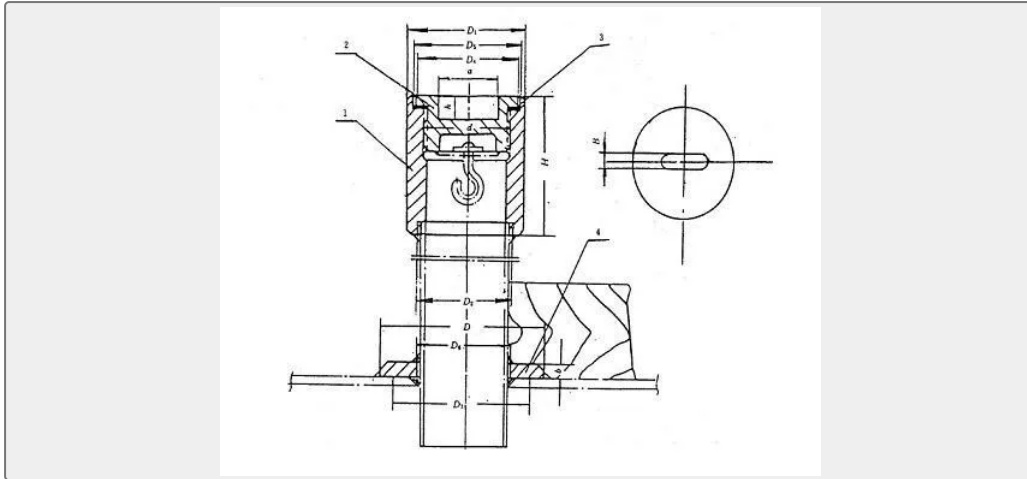
Category	CB Marine Sounding Device	Model / SKU	Inject-Head-Type-C-CB-T3778-1999
Standard	DIN	Material	Carbon Steel & Brass
Weight / Size	WCB Main Size List(mm):	Certificate	Mill Certificate
Warranty	12 Months unless specified otherwise	Origin	China

CONTENTS

- China Inject Head Type C CB/T3778-1999:
- Main Size List(mm):
- Material:



China Inject Head Type C CB/T3778-1999:



Inject Head is also called as brass plug, sounding head, sounding pipe head. There are type A, type B and Type C. Type A is the inject head for steel deck, Type B is the inject head for wood deck, Type C is the lift inject head.

Standard: CB/T3778-1999

Material:

1-Body: Carbon Steel

2-Cover: Brass

3-Gasket: NBR

4-Welded Plate: WCB

Main Size List(mm):

DN	H	D1	D2	D5	D3	D4	a	B	h	d	D	D6	b	Weight(kgs)
40	60	73	50	59	65	57	34	6	10	M45*3	80	50	6	0.90
50	65	92	62	78	75	76	34	6	10	M60*3	92	62	6	1.10
65	70	108	82	94	90	92	34	6	10	M76*3	112	82	6	1.62
80	75	122	93	108	105	106	55	10	14	M90*3	123	93	10	2.41
100	80	142	118	128	130	126	55	10	14	M115*3	148	118	10	4.02
150	100	198	172	180	185	178	55	10	14	M165*3	202	172	10	9.18