

Jinbo Marine

Marine & Offshore Equipment Datasheet

PRODUCT DATASHEET

CHAIN CHASER

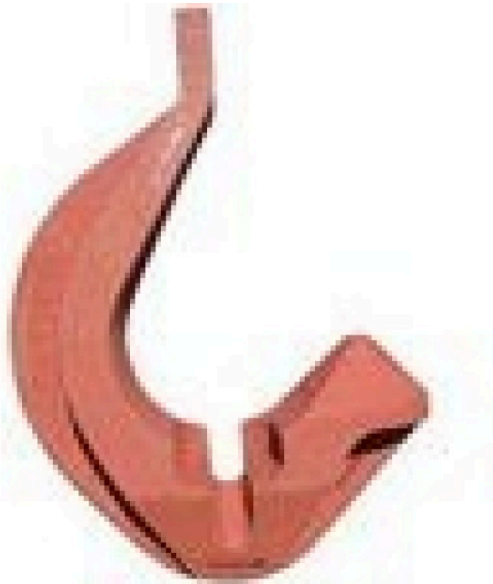
J Lock Chain Chaser

It is for use with deep-penetration twin shank anchors. The J-shape permits catching the anchor chain after the anchor has been installed. This means that this chaser can be used to assist in unforeseen circumstanc...

ISO9001 Supplier

Class Certificate

Export Supply



Key Highlights

Category	Chain Chaser
Standard	DIN
Weight / Size	It will handle anchors to 30 tones in weight and stud link chain up to 4...
Certificate	mill certificate

We can supply according to your requirement, drawings, class certificate needs, and delivery schedule.

Technical Specifications

Category	Chain Chaser	Model / SKU	J-Lock-Chain-Chaser
Standard	DIN	Weight / Size	It will handle anchors to 30 tones in weight and stud link chain up to 4-1/2 inches diameter.
Certificate	mill certificate	Warranty	12 Months unless specified otherwise
Origin	China		

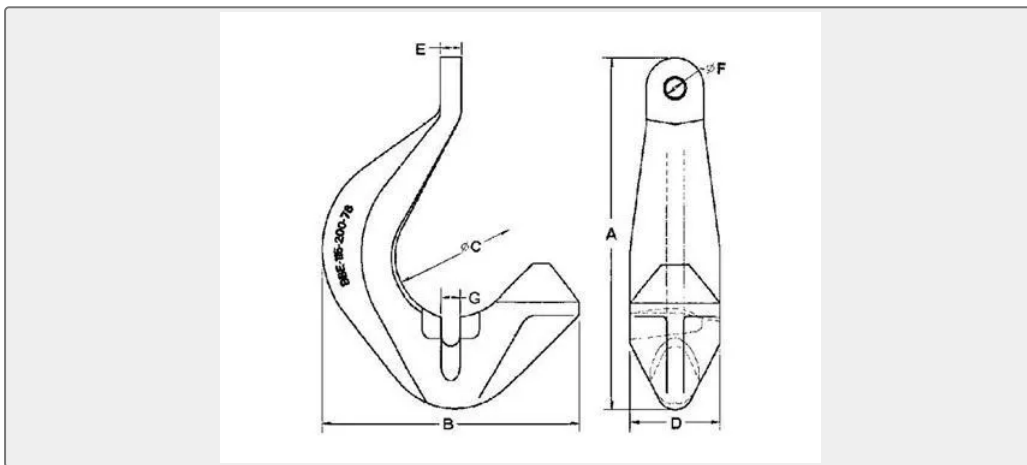
CONTENTS

- China J Lock Chain Chaser:

- Feature:



China J Lock Chain Chaser:



It is for use with deep-penetration twin shank anchors.

The J-shape permits catching the anchor chain after the anchor has been installed. This means that this chaser can be used to assist in unforeseen circumstances.

The well-balanced and 'guiding' design of the chaser enables catching the chain when the chaser approaches a mooring at the point where the catenary angle is as high as 45 degrees.

Feature:

1. Excellent quality and competitive price .
2. Durable, long lifetime.
3. Standard or customerized.

Remark:

It is attached by a work wire to the winch of the anchor handling tug and at approximately 1/3 of the water depth.

After "snagging" the anchor chain, is towed into contact with the anchor shank and flukes enabling the tug to lift and board the anchor .

It will handle anchors to 30 tones in weight and stud link chain up to 4-1/2 inches diameter.

J Lock Chain Chaser



Nominal Size(mm)	Pull Load (Ton)	SWL(Ton)	Dimensions (mm)							Weight(kgs)
			A	B	C	D	E	F	G	
76	300	200	2083	1520	711	533	124	115	110	2600
84	300	200	2083	1520	711	533	124	115	130	2600
102	500	300	2480	2050	711	800	180	150	140	4200
117-124	600	450	2730	2050	711	1000	240	185	150	7650