

Jinbo Marine

Marine & Offshore Equipment Datasheet

PRODUCT DATASHEET

CHAIN CHASER

J Lock Chaser

J-Lock Chaser is used for deep penetration twin shank anchor, J-shape permits catching the anchor chain after anchor has been installed. The well-balanced and guiding design of chaser enables catch the chain...

ISO9001 Supplier

Class Certificate

Export Supply



Key Highlights

Category	Chain Chaser
Standard	DIN
Weight / Size	Main specification J Lock Chaser SWL(Ton) A(mm) B(mm) C(mm) D(mm) E(mm) ...
Certificate	ABS, LR, BV, DNVGL, NK, KR, IRS, RMRS, CCS

We can supply according to your requirement, drawings, class certificate needs, and delivery schedule.

Technical Specifications

Category	Chain Chaser	Model / SKU	J-Lock-Chaser
Standard	DIN	Weight / Size	Main specification J Lock Chaser SWL(Ton) A(mm) B(mm) C(mm) D(mm) E(mm) G(mm) H(mm) Proof Load(T) Weight(kg) 100 2083 1486 1486 711 533 124 86 250 1778
Certificate	ABS, LR, BV, DNVGL, NK, KR, IRS, RMRS, CCS	Warranty	12 Months unless specified otherwise
Origin	China		

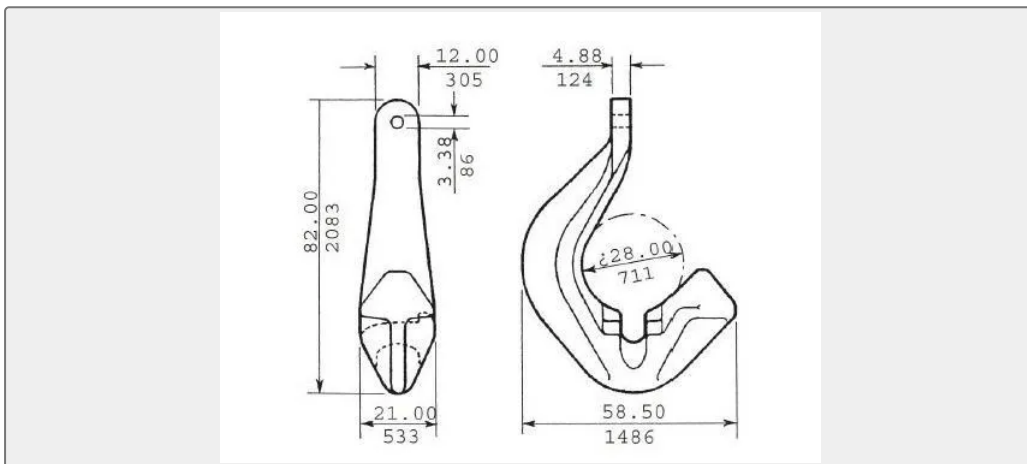
CONTENTS

■ China J Lock Chaser:

■ Main specification



China J Lock Chaser:



J-Lock Chaser is used for deep penetration twin shank anchor, J-shape permits catching the anchor chain after anchor has been installed.

The well-balanced and guiding design of chaser enables catch the chains when the chaser approaches a mooring at the point where the catenary angle is as high as 45 degrees.

Main specification

J Lock Chaser									
SWL(Ton)	A(mm)	B(mm)	C(mm)	D(mm)	E(mm)	G(mm)	H(mm)	Proof Load(T)	Weight(kg)
100	2083	1486	1486	711	533	124	86	250	1778