

# Jinbo Marine

Marine & Offshore Equipment Datasheet

PRODUCT DATASHEET

TURNBUCKLE

## Jaw & Eye Turnbuckle HG-227 , SS304 OR SS316

ISO9001 Supplier

Class Certificate

Export Supply

1x12 10000 13.4 1 1.34 6.09 2.05 37.03 25.03 39.59 27.59 ...



### Key Highlights

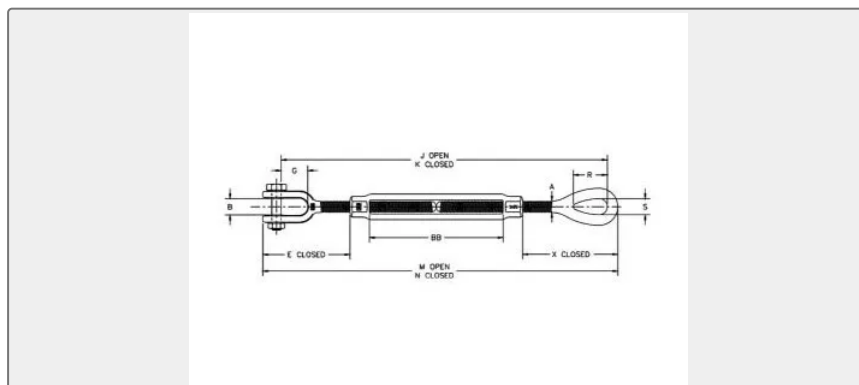
Category	Turnbuckle
Material	Stainless steel
Certificate	ABS, LR, BV, DNVGL, NK, KR, IRS, RMRS, CCS

We can supply according to your requirement, drawings, class certificate needs, and delivery schedule.

### Technical Specifications

Category	Turnbuckle	Model / SKU	JAW-EYE-TURNBUCKLE-HG-227-SS304-OR-SS316
Material	Stainless steel	Certificate	ABS, LR, BV, DNVGL, NK, KR, IRS, RMRS, CCS
Warranty	12 Months unless specified otherwise	Origin	China

### China Jaw & Eye Turnbuckle HG-227 , SS304 OR SS316:



1x12	10000	13.4	1	1.34	6.09	2.05	37.03	25.03	39.59	27.59	3	1.43	6.5	12.18
1 x18	10000	16.7	1	1.34	6.09	2.05	49.03	31.03	51.59	33.59	3	1.43	6.5	18.18
1 x24	10000	20.6	1	1.34	6.06	2.05	61.63	37.63	64.19	40.19	3	1.43	6.47	24.84
1-1/4x12	15200	20.9	1.25	1.84	8.09	2.82	40.76	28.76	43.98	31.98	3.59	1.82	8.49	12.06
1-1/4x18	15200	24.8	1.25	1.84	8.09	2.82	52.76	34.76	55.98	37.98	3.59	1.82	8.49	18.06
1-1/4x24	15200	28.8	1.25	1.84	8.09	2.82	65.32	41.32	68.54	44.54	3.59	1.82	8.49	24.62
1-1/2x12	21400	30.6	1.5	2.06	8.93	2.81	42.5	30.5	46.21	34.21	4.09	2.12	9.46	12.32
1-1/2x18	21400	36	1.5	2.06	8.93	2.81	54.5	36.5	58.21	40.21	4.09	2.12	9.46	18.32
1-1/2x24	21400	41.5	1.5	2.06	8.93	2.81	67.12	43.12	70.83	46.83	4.09	2.12	9.46	24.94
1-3/4x18	28000	52.1	1.75	2.6	9.36	3.35	55.37	37.37	59.77	41.77	4.65	2.38	9.97	18.37
1 -3/4 x 24	28000	59.7	1.75	2.6	9.36	3.35	67.37	43.37	71.77	47.77	4.65	2.38	9.97	24.37
2x24	37000	89.9	2	2.62	11.8	3.74	72.66	48.66	77.95	53.95	5.81	3.69	13.03	24.48
2-1/2x24	60000	158	2.5	3.06	13.26	4.44	76.08	52.08	82.68	58.68	6.49	3.12	13.03	24.6
2-3/4 x 24	75000	187	2.75	3.69	14.92	4.19	78.05	54.05	85.67	61.67	7	3.25	15.09	24.65