

Jinbo Marine

Marine & Offshore Equipment Datasheet

PRODUCT DATASHEET

TURNBUCKLE


Jaw & Jaw Turnbuckles HG-228, SS306 OR SS316

ISO9001 Supplier

Class Certificate

Export Supply

THREAD D1A.& TAKE UP (in.) WORKING LOAD LIMIT (lbs)* WEIGHT each (kg)
 DIMENSIONS(in.) ...

	Key Highlights	
	Category	Turnbuckle
	Standard	EN
	Material	Stainless steel
	Weight / Size	THREAD D1A.& TAKE UP (in.) WORKING LOAD LIMIT (lbs)* WEIGHT each (kg) DI...
	Certificate	ABS, LR, BV, DNVGL, NK, KR, IRS, RMRS, CCS
<p>We can supply according to your requirement, drawings, class certificate needs, and delivery schedule.</p>		

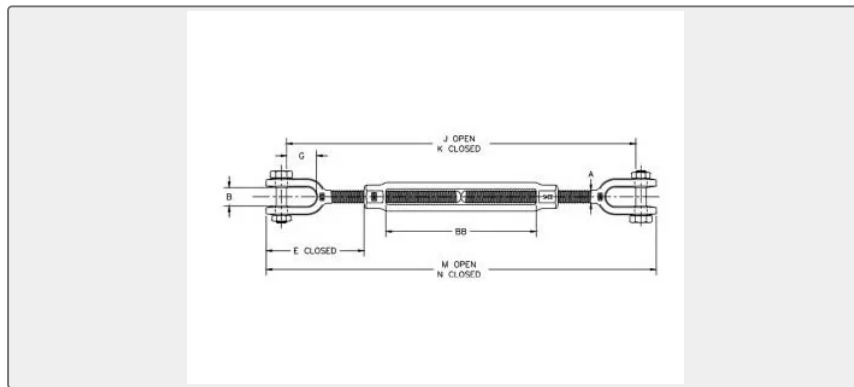
Technical Specifications

Category	Turnbuckle	Model / SKU	JAW-JAW-TURNBUCKLES-HG-228-SS306-OR-SS316
Standard	EN	Material	Stainless steel

Weight / Size	THREAD D1A.& TAKE UP (in.) WORKING LOAD LIMIT (lbs)* WEIGHT each (kg) DIMENSIONS(in.) A B E CLOSED G J OPEN K CLOSED M OPEN N closed BB 1/4x4 500 0.37 0.25 0.45 1.66 0.64 11.19 7.19 12.18 8.18 4.07 5/16x4-1/2 800 0.56 0.31 0.5 2.02 0.87 13.07 8.57 14.12 9.62 4.58 3/8x6 1200 0.85 0.38 0.53 2.11 0.85 16.25 10.25 17.5 11.5 6.1 1/2x6 2200 1.82 0.5 0.64 3.22 1.07 18.65 12.65 20.14 14.14 6.03 1/2x9 2200 2.29 0.5 0.64 3.2 1.07 29.94 15.94 26.43 17.43 9.36 1/2x12 2200 2.71 0.5 0.64 3.2 1.07 30.94 18.94 32.43 20.43 12.36 5/8x6 3500 3.21 0.63 0.79 3.9 1.32 19.74 13.74 21.82 15.82 6.03 5/8x9 3500 3.95 0.63 0.79 3.89 1.32 26.08 17.08 28.16 19.16 9.39 5/8x12 3500 4.58 0.63 0.79 3.89 1.32 32.08 20.08 34.16 22.16 12.39 3/4x6 5200 4.8 0.75 0.97 4.71 1.52 21.09 15.09 23.68 17.68 6.13 3/4x9 5200 5.85 0.75 0.97 4.68 1.52 27.49 18.49 30.08 21.08 9.59 3/4x12 5200 6.72 0.75 0.97 4.68 1.52 33.49 21.49 36.08 24.08 12.59 3/4x18 5200 8.45 0.75 0.97 4.71 1.52 45.49 27.49 48.08 30.08 18.53 7/8x12 7200 9.37 0.88 1.16 5.5 1.77 34.65 22.65 37.62 25.62 12.16 7/8x18 7200 11.8 0.88 1.16 5.5 1.77 47.12 29.12 50.09 32.09 18.63 1x6 10000 10.4 1 1.34 6.09 2.05 23.82 17.82 27.18 21.18 6.18 1x12 10000 13.8 1 1.34 6.09 2.05 35.82 23.82 39.18 27.18 12.18 1x18 10000 17.1 1 1.34 6.09 2.05 47.82 29.82 51.18 33.18 18.18 1 x24 10000 21 1 1.34 6.06 2.05 60.42 36.42 63.78 39.78 24.84 1- 1/4x12 15200 21.9 1.25 1.84 8.09 2.82 39.37 27.37 43.58 31.58 12.06 1-1/4x18 15200 25.9 1.25 1.84 8.09 2.82 51.37 33.37 55.58 37.58 18.06 1-1/4x24 15200 29.8 1.25 1.84 8.09 2.82 63.93 39.93 68.14 44.14 24.62 1-1/2x12 21400 32.6 1.5 2.06 8.93 2.81 40.76 <th data-bbox="820 107 951 136">Certificate</th> <th data-bbox="1062 107 1433 174">ABS, LR, BV, DNVGL, NK, KR, IRS, RMRS, CCS</th>	Certificate	ABS, LR, BV, DNVGL, NK, KR, IRS, RMRS, CCS
---------------	---	-------------	---

	28.76 45.68 33.68 12.32 1-1/2x18 21400 38 1.5 2.06 8.93 2.81 52.76 34.76 57.68 39.68 18.32 1-1/2x24 21400 43.5 1.5 2.06 8.93 2.81 65.38 41.38 70.3 46.3 24.94 1- 3/4x18 28000 53.5 1.75 2.6 9.36 3.35 53.35 35.35 59.16 41.16 18.37 1 -3/4 x 24 28000 61.1 1.75 2.6 9.36 3.35 65.35 41.35 71.16 47.16 24.37 2x24 37000 96.3 2 2.62 11.8 3.74 69.64 45.64 76.72 52.72 24.48 2-1/2x24 60000 167 2.5 3.06 13.26 4.44 72.97 48.97 82.18 58.18 24.6 2-3/4 x 24 75000 199 2.75 3.69 14.92 4.19 74.75 50.75 85.5 61.5 24.65	
Warranty	12 Months unless specified otherwise	Origin China

China Jaw & Jaw Turnbuckles HG-228, SS306 OR SS316:



THREAD D1A.& TAKE UP (in.)	WORKING LOAD LIMIT (lbs)*	WEIGHT each (kg)	DIMENSIONS(in.)									
				A	B	E CLOSE D	G	J OPE N	K CLOSE D	M OPE N	N close d	BB
1/4x4	500	0.37	0.25	0.45	1.66	0.64	11.19	7.19	12.18	8.18	4.07	
5/16x4-1/2	800	0.56	0.31	0.5	2.02	0.87	13.07	8.57	14.12	9.62	4.58	
3/8x6	1200	0.85	0.38	0.53	2.11	0.85	16.25	10.25	17.5	11.5	6.1	
1/2x6	2200	1.82	0.5	0.64	3.22	1.07	18.65	12.65	20.14	14.14	6.03	

1/2x9	2200	2.29	0.5	0.64	3.2	1.07	29.94	15.9 4	26.4 3	17.4 3	9.36
1/2x12	2200	2.71	0.5	0.64	3.2	1.07	30.94	18.9 4	32.4 3	20.4 3	12.3 6
5/8x6	3500	3.21	0.63	0.79	3.9	1.32	19.74	13.7 4	21.8 2	15.8 2	6.03
5/8x9	3500	3.95	0.63	0.79	3.89	1.32	26.08	17.0 8	28.1 6	19.1 6	9.39
5/8x12	3500	4.58	0.63	0.79	3.89	1.32	32.08	20.0 8	34.1 6	22.1 6	12.3 9
3/4x6	5200	4.8	0.75	0.97	4.71	1.52	21.09	15.0 9	23.6 8	17.6 8	6.13
3/4x9	5200	5.85	0.75	0.97	4.68	1.52	27.49	18.4 9	30.0 8	21.0 8	9.59
3/4x12	5200	6.72	0.75	0.97	4.68	1.52	33.49	21.4 9	36.0 8	24.0 8	12.5 9
3/4x18	5200	8.45	0.75	0.97	4.71	1.52	45.49	27.4 9	48.0 8	30.0 8	18.5 3
7/8x12	7200	9.37	0.88	1.16	5.5	1.77	34.65	22.6 5	37.6 2	25.6 2	12.1 6
7/8x18	7200	11.8	0.88	1.16	5.5	1.77	47.12	29.1 2	50.0 9	32.0 9	18.6 3
1x6	10000	10.4	1	1.34	6.09	2.05	23.82	17.8 2	27.1 8	21.1 8	6.18
1x12	10000	13.8	1	1.34	6.09	2.05	35.82	23.8 2	39.1 8	27.1 8	12.1 8
1x18	10000	17.1	1	1.34	6.09	2.05	47.82	29.8 2	51.1 8	33.1 8	18.1 8
1 x24	10000	21	1	1.34	6.06	2.05	60.42	36.4 2	63.7 8	39.7 8	24.8 4
1-1/4x12	15200	21.9	1.25	1.84	8.09	2.82	39.37	27.3 7	43.5 8	31.5 8	12.0 6
1-1/4x18	15200	25.9	1.25	1.84	8.09	2.82	51.37	33.3 7	55.5 8	37.5 8	18.0 6
1-1/4x24	15200	29.8	1.25	1.84	8.09	2.82	63.93	39.9 3	68.1 4	44.1 4	24.6 2
1-1/2x12	21400	32.6	1.5	2.06	8.93	2.81	40.76	28.7 6	45.6 8	33.6 8	12.3 2
1-1/2x18	21400	38	1.5	2.06	8.93	2.81	52.76	34.7 6	57.6 8	39.6 8	18.3 2
1-1/2x24	21400	43.5	1.5	2.06	8.93	2.81	65.38	41.3 8	70.3	46.3	24.9 4

1-3/4x18	28000	53.5	1.75	2.6	9.36	3.35	53.35	35.35	59.16	41.16	18.37
1 -3/4 x 24	28000	61.1	1.75	2.6	9.36	3.35	65.35	41.35	71.16	47.16	24.37
2x24	37000	96.3	2	2.62	11.8	3.74	69.64	45.64	76.72	52.72	24.48
2-1/2x24	60000	167	2.5	3.06	13.26	4.44	72.97	48.97	82.18	58.18	24.6
2-3/4 x 24	75000	199	2.75	3.69	14.92	4.19	74.75	50.75	85.5	61.5	24.65