

MARINE FAN/BLOWER

JCL (CLQ) Marine Centrifugal Fan

General: JCL(CLQ) series marine centrifugal fan is capable of blowing air, such as ocean air containing salt vapor and corrosive air containing oil vapor and a small quantity of acid steam which generated by the na...

- ISO9001 Supplier
- Class Certificate
- Export Supply



Key Highlights

Category	Marine Fan/Blower
Standard	DIN
Material	Steel
Weight / Size	Small in size and light in weight .
Certificate	CCS, BV, ABS, GL, LR, DNV, NK,RINA, KR,IRS

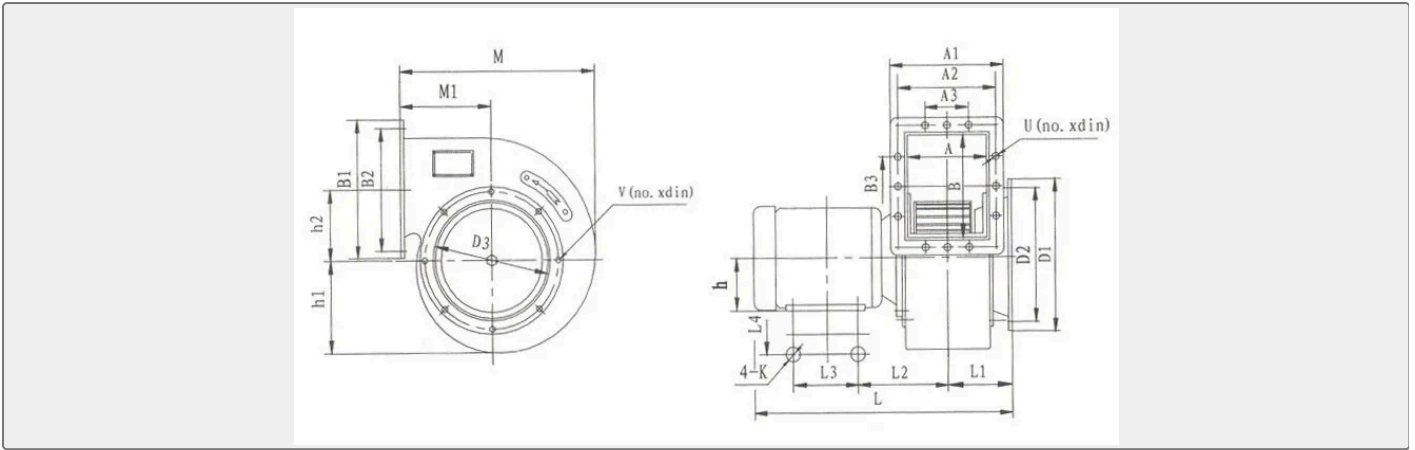
We can supply according to your requirement, drawings, class certificate needs, and delivery schedule.

Technical Specifications

Category	Marine Fan/Blower	Model / SKU	JCL-CLQ-Marine-Centrifugal-Fan
Standard	DIN	Material	Steel
Weight / Size	Small in size and light in weight .	Certificate	CCS, BV, ABS, GL, LR, DNV, NK,RINA, KR,IRS
Warranty	12 Months unless specified otherwise	Origin	China

CONTENTS	■ General:	■ Characteristics:
	■ Structure type:	■ Main Parameter:





General:

JCL(CLQ) series marine centrifugal fan is capable of blowing air, such as ocean air containing salt vapor and corrosive air containing oil vapor and a small quantity of acid steam which generated by the natural evaporation of the batteries. So it can be widely used for ventilation of various cabin rooms and the boiler, they are also applicable in other places that suit.

The fan is designed and manufactured according to the standard of GB11865 《Marine Centrifugal Fan》 and 《The manufacture Rules of Sea-going Steel Ships》 which approved by the Register of the People's Republic of China.

Characteristics:

Small in size and light in weight . Low noise and low vibration .

Good anti-corrosiveness. Good air tightness

Small starting torque. Strongly performance of resisting swing, vibration and shocking

Structure type:

The fan is designed and manufactured into a horizontal structure type or a vertical type. The impellers are mounted directly on the motor shaft extension. The impellers is made of aluminum alloy and carefully balanced in static and dynamic ways.

Both the casing and the air inlet are made of welded common steel.

The fan can be made for anticlockwise rotation (turn left) or Clockwise rotation (turn right).

Main Parameter:

Model No	Folw rate	Total pressure	Static pressure	Speed	Motor			Weight
	m3/h	Pa	Pa	r/min	Freq (Hz)	Power kw	Model	kgs
JCL-15	500	550	490	2920	50	0.75	Y-J801-2-H	25
	800	540	390					
	600	780	590	3500	60			
	960	645	470					



JCL-16	800	600	490	2920	50	0.75	Y-J801-2-H	26
	1200	590	340					
	960	860	705	3500	60			
	1400	840	490					
JCL-17	800	695	590	2920	50	0.75	Y-J801-2-H	27
	1200	685	440					
	960	1000	840	3500	60			
	1400	980	635					
JCL-18	1200	810	635	2920	50	0.75	Y-J801-2-H	30
	1500	810	540					
	1400	1165	910	3500	60	1.1	Y-J802-2-H	
	1800	1165	775					
JCL-19	1500	900	735	2920	50	1.1	Y-J90S-2-H	35
	2000	880	590					
	1800	1295	1060	3500	60	1.5		
	2400	1265	840					
JCL-20	800	245	195	1460	50	0.55	Y-J80X1-4-H	30
	960	350	285	1750	60			
JCL-20	1500	1050	880	2920	50	1.5	Y-J90S-2-H	42
	2000	1030	735					
	1800	1510	1265	3500	60	2.2	Y-J90L-2-H	
	2400	1480	1060					
JCL-21	2000	1175	930	2920	50	1.5	Y-J90S-2-H	42
	2500	1165	785					
	2400	1685	1330	3500	60	2.2	Y-J90L-2-H	
	3000	1675	1125					
JCL-22	2500	1275	980	2920	50	2.2	Y-J90L-2-H	45
	3000	1255	830					
	3000	1830	1410	3500	60	3	Y-J100L-2-H	52
	3600	1805	1195					

JCL-23	2500	1400	1175	2920	50	2.2	Y-J90L-2-H	48
	3000	1410	1080					
	3000	2010	1685	3500	60	4	Y-J112M-2-H	60
	3600	2030	1550					
JCL-24	1500	410	340	1460	50	0.55	Y-J80L1-4-H	40
	2000	360	245					
	1800	590	490	1750	60	0.75	Y-J80L2-4-H	
	2400	520	350					
JCL-24	3000	1635	1370	2920	50	3	Y-J100L-2-H	45
	4000	1560	1080					
	3600	2350	1970	3500	60	5.5	Y-J132S1-2-H	
	4800	2235	1550					
JCL-25	2000	430	340	1460	50	0.75	Y-J80L2-4-H	44
	2500	430	295					
	2400	670	540	1750	60	1.1	Y-J90S-4-H	
	3000	640	440					
JCL-25	4000	1910	1570	2920	50	4	Y-J112M-2-H	74
	4800	2745	2255	3500	60	7.5	Y-J132S2-2-H	105
JCL-27	2500	510	390	1460	50	1.1	Y-J90S-4-H	48
	3000	510	340					
	3000	735	560	1750	60	1.5	Y-J90L-4-H	
	3600	735	490					
JCL-29	2500	625	540	1460	50	1.1	Y-J90S-4-H	63
	3000	570	440					
	3000	860	775	1750	60	1.5	Y-J90L-4-H	
	3600	810	635					
JCL-30	3000	645	540	1460	50	1.5	Y-J90L-4-H	65
	4000	635	440					
	3600	930	775	1750	60	2.2	Y-J100L1-4-H	
	4800	910	635					

JCL-32	4000	745	590	1460	50	2.2	Y-J100L1-4-H	75
	5000	735	490					
	4800	1070	840	1750	60	3	Y-J100L2-4-H	77
	6000	1060	705					
JCL-33	4000	920	685	1460	50	2.2	Y-J100L1-4-H	78
	5000	795	590					
	4800	1185	990	1750	60	3	Y-J100L2-4-H	80
	6000	1135	840					
JCL-34	5000	860	685	1460	50	3	Y-J100L2-4-H	81
	6000	840	590					
	6000	1235	990	1750	60	4	Y-J112M-4-H	94
	7200	1215	840					
JCL-36	5000	970	830	1460	50	4	Y-J112M-4-H	77
	6000	930	735					
	7200	870	590					
	6000	1390	1195	1750	60	5.5	Y-J132S-4-H	99
	7200	1330	1060					
	8600	1255	840					
JCL-37	6000	1010	830	1460	50	4	Y-J112M-4-H	102
	7200	990	735					
	7200	1450	1195	1750	60	5.5	Y-J132S-4-H	124
	8600	1420	1060					
JCL-39	6000	490	340	970	50	2.2	Y-J112M-6-H	105
	7200	705	490	1160	60			
JCL-39	7200	1185	980	1460	50	5.5	Y-J132S-4-H	132
	9000	1090	785					
	8600	1705	1410	1750	60	7.5	Y-J132M-4-H	147
	10800	1560	1125					
JCL-40	5000	1215	1080	1460	50	4	Y-J112M-4-H	106
	6000	1175	980					
	6000	1745	1550	1750	60	7.5	Y-J132M-4-H	143
	7200	1685	1410					

JCL-42	6000	590	490	970	50	2.2	Y-J112M-6-H	116
	7200	540	390					
	7200	840	705	1160	60	3	Y-J132S-6-H	139
	8600	775	560					
JCL-42	9000	1305	1080	1460	50	7.5	Y-J132M-4-H	158
	12000	1285	880					
	10800	1870	1550	1750	60	11	Y-J160M-4-H	211
	14000	1840	1265					
JCL-44	7200	635	490	970	50	3	Y-J132S-6-H	142
	9000	600	390					
	8600	910	705	1160	60	4	Y-J132M1-6-H	152
	10800	860	560					
JCL-44	9000	1480	1275	1460	50	11	Y-J160M-4-H	214
	12000	1450	980					
	10800	2130	1830	1750	60	15	Y-J160L-4-H	232
	14000	2090	1410					
JCL-46	9000	675	490	970	50	4	Y-J132M1-6-H	158
	10800	970	340	1160	60	5.5	Y-J132M2-6-H	173
JCL-46	12000	1610	1275	1460	50	15	Y-J160L-4-H	220
	15000	1500	980					
	14000	2310	1830	1750	60	18.5	Y-J180M-4-H	292
	18000	2155	1410					
JCL-48	9000	735	590	970	50	4	Y-J132M1-6-H	161
	12000	655	390					
	10800	1060	840	1160	60	5.5	Y-J132M2-6-H	177
	14000	940	560					
JCL-48	12000	1735	1470	1460	50	15	Y-J160L-4-H	241
	15000	1695	1275					
	14000	2490	2120	1750	60	22	Y-J180L-4-H	245
	18000	2440	1830					
JCL-50	12000	775	540	970	50	5.5	Y-J132M2-6-H	181
	14000	1110	775	1160	60	7.5	Y-J160M-6-H	221

JCL-50	15000	1830	1470	1460	50	18.5	Y-J180M-4-H	246
	18000	1795	1275					
	18000	2635	2120	1750	60	22	Y-J180L-4-H	350
	21000	2580	1830					
JCL-52	12000	930	735	970	50	7.5	Y-J160M-6-H	231
	15000	850	540					
	14000	1330	1060	1160	60	11	Y-J160L-6-H	255
	18000	1225	775					
JCL-54	15000	940	685	970	50	7.5	Y-J160M-6-H	242
	18000	1350	990	1160	60	11	Y-J160L-6-H	266
JCL-56	15000	1060	830	970	50	11	Y-J160L-6-H	277
	18000	1010	685					
	18000	1520	1195	1160	60	15	Y-J180L-6-H	372
	21000	1440	980					
JCL-58	18000	1155	880	970	50	15	Y-J180L-6-H	383
	21000	1655	1265	1160	60	18.5	Y-J200L1-6-H	388