

MARINE FLUORESCENT LIGHTS

# JCY33-2E Fluorescent pendant light

Type Power Voltage Power Lamp Holder ...

- ISO9001 Supplier
- Class Certificate
- Export Supply



### Key Highlights

<b>Category</b>	Marine Fluorescent Lights
<b>Standard</b>	EN
<b>Weight / Size</b>	Type Power Voltage Power Lamp Holder Cable outside diameter Protection C...
<b>Certificate</b>	ABS, LR, BV, DNVGL, NK, KR, IRS, RMRS, CCS

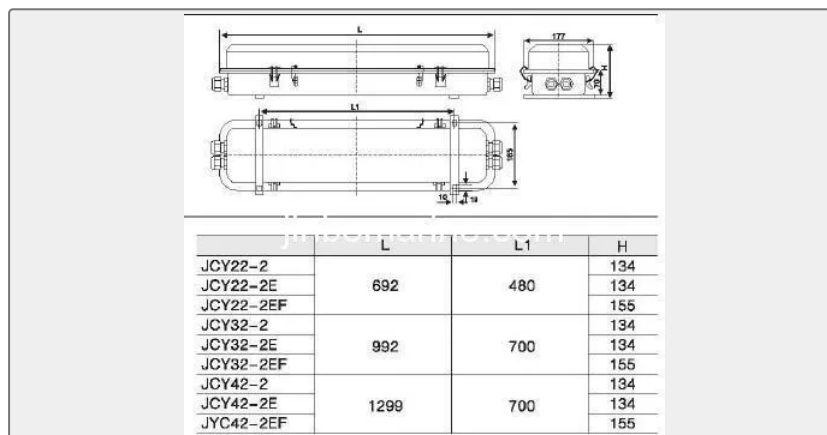
We can supply according to your requirement, drawings, class certificate needs, and delivery schedule.

### Technical Specifications

<b>Category</b>	Marine Fluorescent Lights	<b>Model / SKU</b>	JCY33-2E-Fluorescent-pendant-light
<b>Standard</b>	EN	<b>Weight / Size</b>	Type Power Voltage Power Lamp Holder Cable outside diameter Protection Class Weight JCY22-2 2x20W 110V/60HZ 0.85 12-16 G13 IP55 5.2kg JCY22-2E 220V/50HZ 5.3kg JCY22-2EF 220V/60HZ 8.9kg JCY32-2 2x30W 110V/60HZ 0.85 12-16 G13 IP55 9.1kg JCY32-2E 220V/50HZ 9.2kg JCY32-2EF 220V/60HZ 10kg JCY42-2 2x40W 110V/60HZ 0.85 12-16 G13 IP55 9.3kg JCY42-2E 220V/50HZ 9.4kg JCY42-2EF 220V/60HZ 10.2kg
<b>Certificate</b>	ABS, LR, BV, DNVGL, NK, KR, IRS, RMRS, CCS	<b>Warranty</b>	12 Months unless specified otherwise
<b>Origin</b>	China		



## China JCY33-2E Fluorescent pendant light:



Type	Power	Voltage	Power	Lamp Holder	Cable outside diameter	Protection Class	Weight
JCY22-2	2x20W	110V/60HZ	0.85	12-16	G13	IP55	5.2kg
JCY22-2E		220V/50HZ					5.3kg
JCY22-2EF		220V/60HZ					8.9kg
JCY32-2	2x30W	110V/60HZ	0.85	12-16	G13	IP55	9.1kg
JCY32-2E		220V/50HZ					9.2kg
JCY32-2EF		220V/60HZ					10kg
JCY42-2	2x40W	110V/60HZ	0.85	12-16	G13	IP55	9.3kg
JCY42-2E		220V/50HZ					9.4kg
JCY42-2EF		220V/60HZ					10.2kg