

## MARINE TRANSFORMERS

## JDZX10-3B1 Voltage Transformer

JDZX10-3B1 Voltage Transformer 1. The product complies with standards GB1207 and IEC186 2. This series of products includes three voltage transformers: JDZ10-3B, 6B1, 10B1, JDZX10-3B1, 6B1, 10B1, JDZX10-3B, 6B, 10...

ISO9001 Supplier

Class Certificate

Export Supply



### Key Highlights

Category	Marine Transformers
Standard	GB
Certificate	ABS, LR, BV, DNVGL, NK, KR, IRS, RMRS, CCS

We can supply according to your requirement, drawings, class certificate needs, and delivery schedule.

### Technical Specifications

Category	Marine Transformers	Model / SKU	JDZX10-3B1-Voltage-Transformer
Standard	GB	Certificate	ABS, LR, BV, DNVGL, NK, KR, IRS, RMRS, CCS
Warranty	12 Months unless specified otherwise	Origin	China

#### CONTENTS

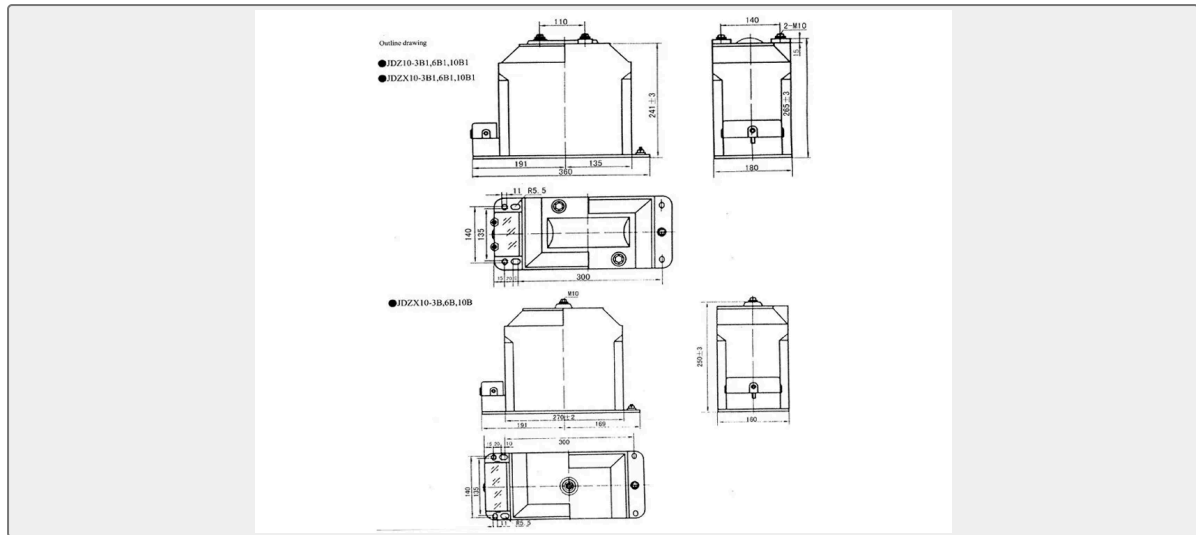
- JDZX10-3B1 Voltage Transformer
- JDZX10-3B1 Voltage Transformer Parameters
- JDZX10-3B1 Voltage Transformer Drawing

## JDZX10-3B1 Voltage Transformer

1. The product complies with standards GB1207 and IEC186
2. This series of products includes three voltage transformers: JDZ10-3B, 6B1, 10B1, JDZX10-3B1, 6B1, 10B1, JDZX10-3B, 6B, 10B



## JDZX10-3B1 Voltage Transformer Drawing



## JDZX10-3B1 Voltage Transformer Parameters

Model	Rated Voltage Ratio/V	Rated Frequency/Hz	Rated Output/VA				Rated Insulation Level/KV
			0.2 grade	0.5 grade	1 grade	6P grade	
JDZ10-3B1	3000/100	50.6	25	50	90	3.6/25/40	
JDZ10-6B1	6000/100		25	50	90	7.2/32/60	
JDZ10-10B1	10000/100		25	50	90	12/42/75	
JDZX10-3B1	3000/ $\sqrt{3}$ /100/ $\sqrt{3}$ /100/3		/	50	90	50	3.6/25/40
JDZX10-6B1	6000/ $\sqrt{3}$ /100/ $\sqrt{3}$ /100/3		/	50	90	50	7.2/32/60
JDZX10-10B1	10000/ $\sqrt{3}$ /100/ $\sqrt{3}$ /100/3		/	50	90	50	12/42/75
JDZX10-3B	3000/ $\sqrt{3}$ /100/ $\sqrt{3}$ /100/3		25	50	90	50	3.6/25/40
JDZX10-6B	6000/ $\sqrt{3}$ /100/ $\sqrt{3}$ /100/3		25	50	90	50	7.2/32/60
JDZX10-10B	10000/ $\sqrt{3}$ /100/ $\sqrt{3}$ /100/3		25	50	90	50	12/42/75