

Jinbo Marine

Marine & Offshore Equipment Datasheet

PRODUCT DATASHEET

MARINE TRANSFORMERS

JDZX9-10G Voltage Transformer

JDZX9-10G Voltage Transformer The product complies with the standards GB1207 and IEC186 JDZX9-10G Voltage Transformer Drawing JDZX9-10G Voltage Transformer Mode...

ISO9001 Supplier

Class Certificate

Export Supply



Key Highlights

Category	Marine Transformers
Standard	GB
Certificate	ABS, LR, BV, DNVGL, NK, KR, IRS, RMRS, CCS

We can supply according to your requirement, drawings, class certificate needs, and delivery schedule.

Technical Specifications

Category	Marine Transformers	Model / SKU	JDZX9-10G-Voltage-Transformer
Standard	GB	Certificate	ABS, LR, BV, DNVGL, NK, KR, IRS, RMRS, CCS
Warranty	12 Months unless specified otherwise	Origin	China

CONTENTS

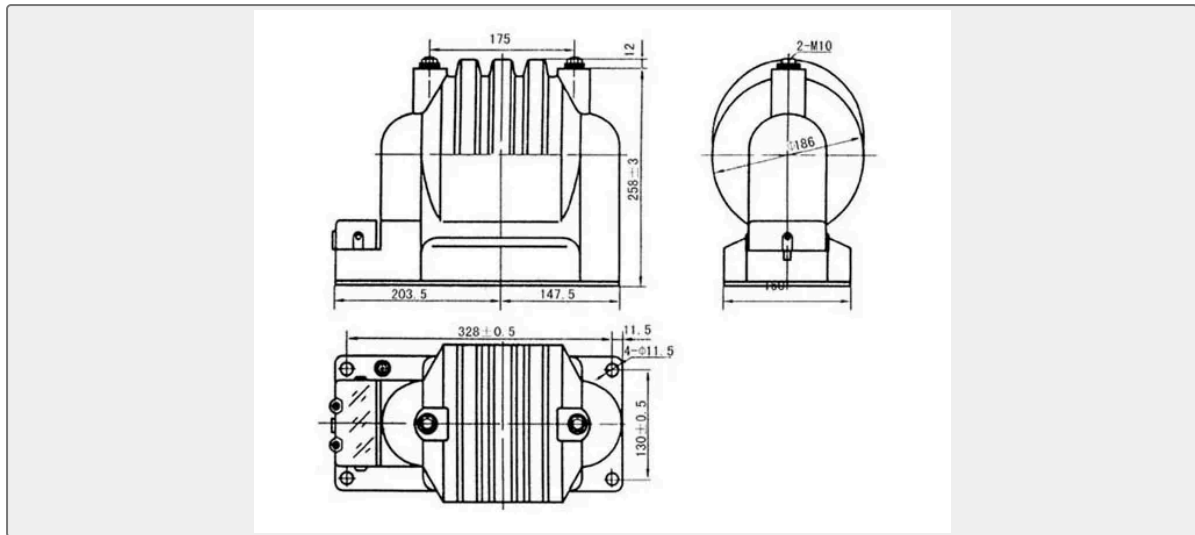
- JDZX9-10G Voltage Transformer
- JDZX9-10G Voltage Transformer Drawing

JDZX9-10G Voltage Transformer

The product complies with the standards GB1207 and IEC186



JDZX9-10G Voltage Transformer Drawing



JDZX9-10G Voltage Transformer

Model	Rated Frequency/Hz	Accuracy Combination	Rated Output/VA
JDZ9-3	50.6	0.2	40
		0.5	100
		1	200
		3	240
JDZ9-6	50.6	0.2	40
		0.5	100
		1	200
		3	240
JDZ9-10	50.6	0.2	40
		0.5	100
		1	200
		3	240
JDZX9-3G	50.6	0.5/6P	60/100
JDZX9-6G			
JDZX9-10G			

Model	Rated Voltage Ratio/V	Ultimate Output /VA	Rated Insulation Level/KV
JDZ9-3	3000/100	500	3.6/25/40



JDZ9-6	6000/100	500	7.2/32/60
JDZ9-10	10000/100	500	12/42/75
JDZX9-3G	3000/ $\sqrt{3}$ /100/ $\sqrt{3}$ /100/3	400	3.6/25/40
JDZX9-6G	6000/ $\sqrt{3}$ /100/ $\sqrt{3}$ /100/3		7.2/32/60
JDZX9-10G	10000/ $\sqrt{3}$ /100/ $\sqrt{3}$ /100/3		12/42/75