

# Jinbo Marine

Marine &amp; Offshore Equipment Datasheet

PRODUCT DATASHEET

## MARINE TRANSFORMERS

## JDZX9-3G Voltage Transformer

JDZX9-3G Voltage Transformer The product complies with the standards GB1207 and IEC186 JDZX9-3G Voltage Transformer Drawing &nbsp;  JDZX9-3G Voltage Transformer Parameters ...

ISO9001 Supplier

Class Certificate

Export Supply



### Key Highlights

Category	Marine Transformers
Standard	GB
Certificate	ABS, LR, BV, DNVGL, NK, KR, IRS, RMRS, CCS

We can supply according to your requirement, drawings, class certificate needs, and delivery schedule.

### Technical Specifications

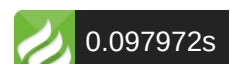
Category	Marine Transformers	Model / SKU	JDZX9-3G-Voltage-Transformer
Standard	GB	Certificate	ABS, LR, BV, DNVGL, NK, KR, IRS, RMRS, CCS
Warranty	12 Months unless specified otherwise	Origin	China

#### CONTENTS

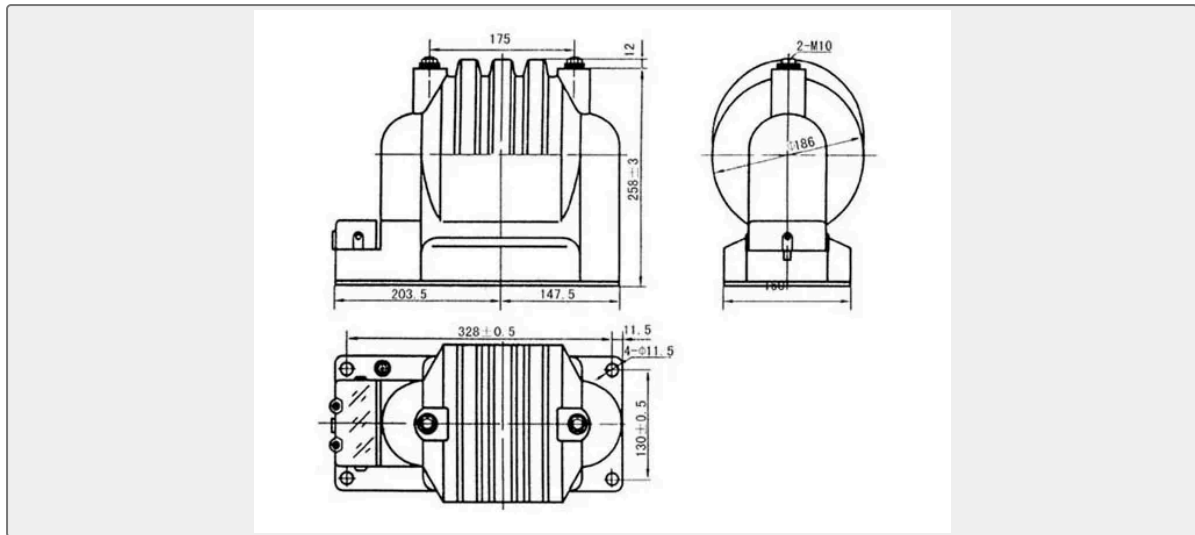
- JDZX9-3G Voltage Transformer
- JDZX9-3G Voltage Transformer Parameters
- JDZX9-3G Voltage Transformer Drawing

## JDZX9-3G Voltage Transformer

The product complies with the standards GB1207 and IEC186



## JDZX9-3G Voltage Transformer Drawing



## JDZX9-3G Voltage Transformer Parameters

Model	Rated Frequency/Hz	Accuracy Combination	Rated Output/VA
JDZ9-3	50.6	0.2	40
		0.5	100
		1	200
		3	240
JDZ9-6	50.6	0.2	40
		0.5	100
		1	200
		3	240
JDZ9-10	50.6	0.2	40
		0.5	100
		1	200
		3	240
JDZX9-3G	50.6	0.5/6P	60/100
JDZX9-6G			
JDZX9-10G			

Model	Rated Voltage Ratio/V	Ultimate Output /VA	Rated Insulation Level/KV
JDZ9-3	3000/100	500	3.6/25/40

JDZ9-6	6000/100	500	7.2/32/60
JDZ9-10	10000/100	500	12/42/75
JDZX9-3G	3000/ $\sqrt{3}$ /100/ $\sqrt{3}$ /100/3	400	3.6/25/40
JDZX9-6G	6000/ $\sqrt{3}$ /100/ $\sqrt{3}$ /100/3		7.2/32/60
JDZX9-10G	10000/ $\sqrt{3}$ /100/ $\sqrt{3}$ /100/3		12/42/75