

RECIPROCATING PUMP

JG25 Axial Piston Variable displacement pump

- ISO9001 Supplier
- Class Certificate
- Export Supply

Description: JG series axial piston pump (old type variable) was developed by our factory latest updated productsCY type axial pump, itcontains the original CY pump has some variable type, is called the old...



Key Highlights

Category	Reciprocating Pump
Standard	EN
Weight / Size	4. New appearance ,Excellent power/Weight ratio;
Certificate	ABS, LR, BV, DNVGL, NK, KR, IRS, RMRS, CCS

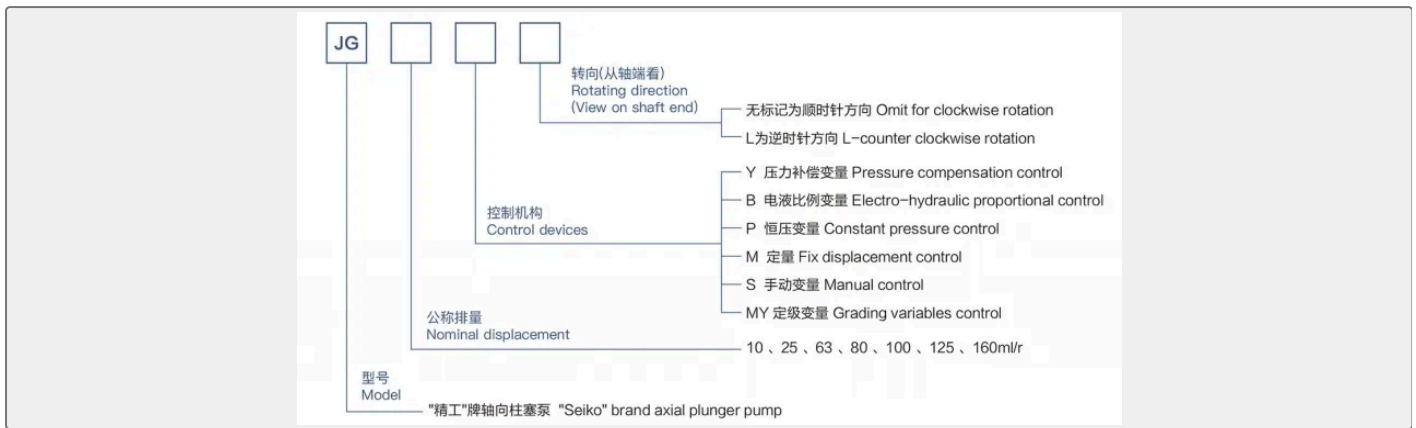
We can supply according to your requirement, drawings, class certificate needs, and delivery schedule.

Technical Specifications

Category	Reciprocating Pump	Model / SKU	JG25-Axial-Piston-Variable-displacement-pump
Standard	EN	Weight / Size	4. New appearance ,Excellent power/Weight ratio;
Certificate	ABS, LR, BV, DNVGL, NK, KR, IRS, RMRS, CCS	Warranty	12 Months unless specified otherwise
Origin	China		

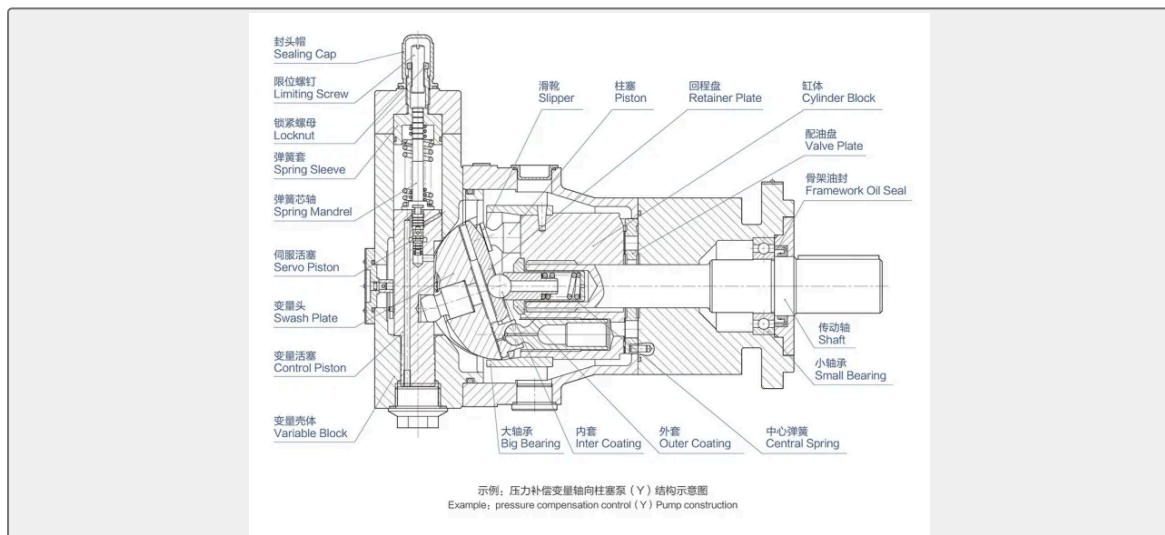
CONTENTS	<ul style="list-style-type: none"> ■ Description: ■ Size: 	<ul style="list-style-type: none"> ■ Data Sheet:
-----------------	---	---

Description:



JG series axial piston pump (old type variable) was developed by our factory latest updated products CY type axial pump, it contains the original CY pump has some variable type, is called the old type variables, besides having the advantages of the original CY type axial plunger pump, also has the following advantages:

1. This product is an axial piston pump in swash plate design for hydrostatic drives in open circuit operation;
2. its rated operating pressure is up to 31.5MPa, and the instantaneous high pressure can reach 40MPa;
3. Excellent suction performance;
4. New appearance ,Excellent power/Weight ratio;
5. Low noise, Long lifespan;
6. With the SAE general oil flange design



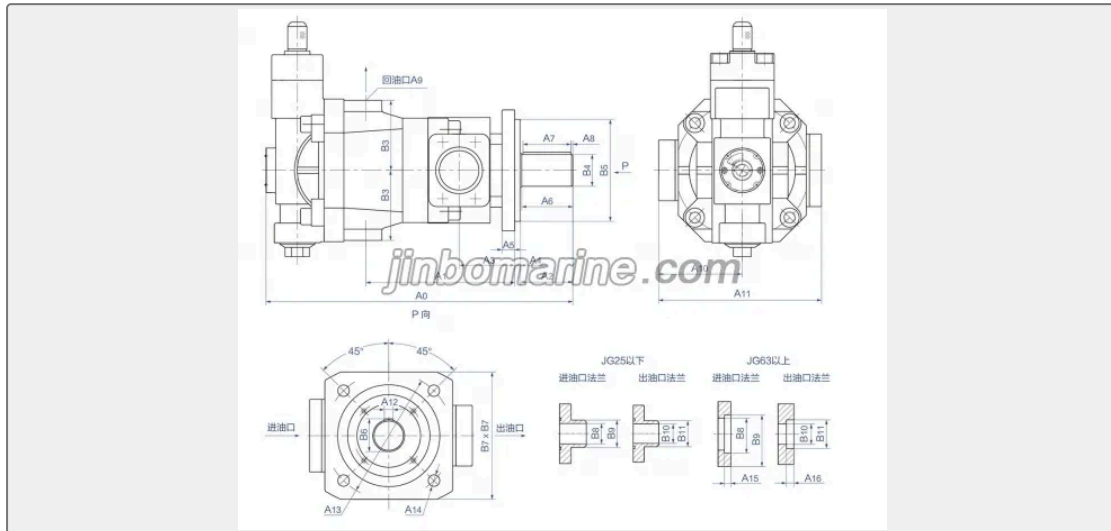
Data Sheet:

Model	(ml/rev) displacement	(MPa) Rated power	(r/min) Suction the highest speed	(KW) Max.power
JG10	12.6	31.5	1500	6.5
JG25	23.9	31.5	1500	13.0
JG63	66.7	31.5	1500	34.3
JG80	85.18	31.5	1500	50.0



JG100	100	31.5	1500	59.4
JG125	126	31.5	1500	74.9
JG160	164.5	31.5	1500	97.7

Size:



Model	A0	A1	A2	A3	A4	A5	A6	A7	A8	A9	A10	An	A12
JG10	255.5	60	38.5	25	15	10	37	30	4	M14x1.5	105	210	8
JG25	280	78	61	30	12		55	45			118	236	
JG63/80/100	427	201	72	81	9	20	70	65	3	M27x2	106	206	12
JG125/160	480.5	233	82	87			80	75		M33x2	126	246	14
Model	A13	A14	A15	A16	B3	B4h6	B5f9	B6	B7	B8	B9	B10	B11
JG10	0100	4>11	60	<P25	4>75		28	100	4>25	4>35	4>15	025	
JG25	0125		71	030	(P100		33	125	4>34	4>42	020	028	
JG63/80/100	4>160	4>14	10	12	95	040	0125	43	160	050	4>60	4)32	4)45
JG125/160	0200	4>18			110	050	0160	53.5	200	062	077	032	4>46