

# Jinbo Marine

Marine &amp; Offshore Equipment Datasheet

PRODUCT DATASHEET

## MARINE KITCHEN GALLEY

## JGB-120 Marine Dumpling Machine

JGB-120 Marine Dumpling Machine 1. Scientific structure, automatic forming 2. During production, just put the dough and fillings into the designated entrance, and the dumplings can be produced automatically when t...

ISO9001 Supplier

Class Certificate

Export Supply



### Key Highlights

|               |   |
|---------------|---|
| Category      | Marine Kitchen Galley   |
| Standard      | DIN   |
| Material      | SS  |
| Weight / Size | Equipped with stainless steel adjustable feet for easy installation JGB-... |
| Certificate   | ABS, LR, BV, DNVGL, NK, KR, IRS, RMRS, CCS                                  |

We can supply according to your requirement, drawings, class certificate needs, and delivery schedule.

### Technical Specifications

|               |  |             |  |
|---------------|--|-------------|--|
| Category      | Marine Kitchen Galley  | Model / SKU | JGB-120-Marine-Dumpling-Machine            |
| Standard      | DIN  | Material    | SS   |
| Weight / Size | Equipped with stainless steel adjustable feet for easy installation<br>JGB-120 Marine Dumpling Machine Drawing JGB-120 Marine Dumpling Machine Parameters<br>Model JGB-120 Production<br>7200pcs/h Voltage 220v-1PH-50Hz/60Hz Power(kw) 2.2<br>Size(mm) 990X470X1150<br>Weight(kg) 160 | Certificate | ABS, LR, BV, DNVGL, NK, KR, IRS, RMRS, CCS |
| Warranty      | 12 Months unless specified otherwise   | Origin      | China                                      |



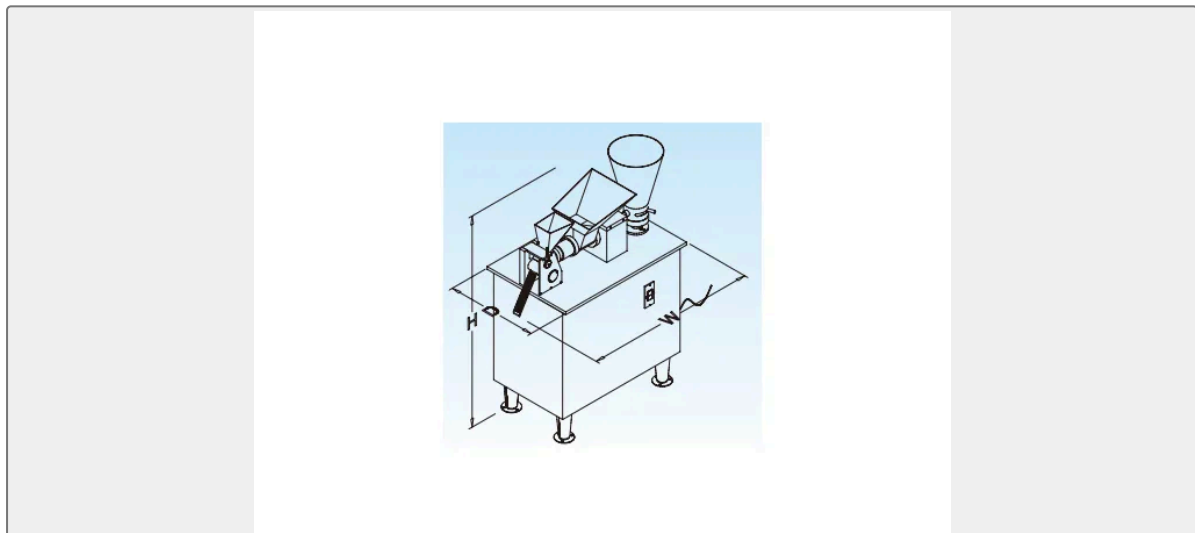
**CONTENTS**

- JGB-120 Marine Dumpling Machine
  - JGB-120 Marine Dumpling Machine Drawing
- JGB-120 Marine Dumpling Machine Parameters

## JGB-120 Marine Dumpling Machine

1. Scientific structure, automatic forming
  2. During production, just put the dough and fillings into the designated entrance, and the dumplings can be produced automatically when the machine is turned on
- Simple operation and strong controllability
3. The amount of filling and the thickness of the dough can be adjusted at any time. The dumplings produced are filled with thin skins, fast production speed, saving labor and time
  3. Excellent selection of materials, precision manufacturing
  4. The main components of the dumpling machine are made of food-specific stainless steel materials, and the noodles and forming parts are made of special anti-adhesive technology materials. It has low resistance, good molding, wear resistance and pressure resistance, easy disassembly and cleaning, and durable
  5. Equipped with stainless steel adjustable feet for easy installation

## JGB-120 Marine Dumpling Machine Drawing



## JGB-120 Marine Dumpling Machine Parameters

|            |                    |
|------------|--------------------|
| Model      | JGB-120            |
| Production | 7200pcs/h          |
| Voltage    | 220v-1PH-50Hz/60Hz |
| Power(kw)  | 2.2                |
| Size(mm)   | 990X470X1150       |
| Weight(kg) | 160                |