

CENTRIFUGAL PUMP

JGGC32-2/2 Marine Vertical Centrifugal Pump

JGGC32-2/2 Marine Vertical Centrifugal Pump Model JGGC32-2/2 Capacity 30m3/hour Lift 22m ...

ISO9001 Supplier

Class Certificate

Export Supply



Key Highlights

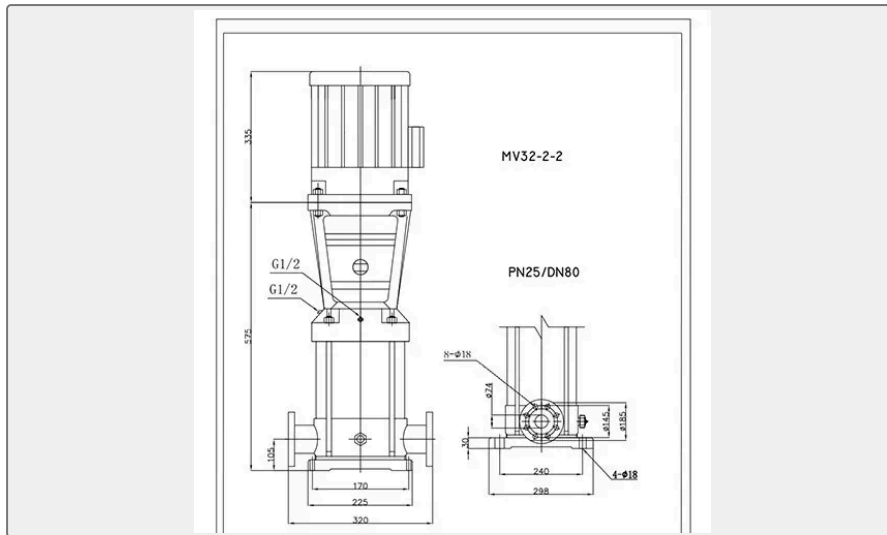
Category	Centrifugal Pump
Standard	EN
Weight / Size	JGGC32-2/2 Marine Vertical Centrifugal Pump Model JGGC32-2/2 Capacity 30...
Certificate	ABS, LR, BV, DNVGL, NK, KR, IRS, RMRS, CCS

We can supply according to your requirement, drawings, class certificate needs, and delivery schedule.

Technical Specifications

Category	Centrifugal Pump	Model / SKU	JGGC32-2-2-Marine-Vertical-Centrifugal-Pump
Standard	EN	Weight / Size	JGGC32-2/2 Marine Vertical Centrifugal Pump Model JGGC32-2/2 Capacity 30m3/hour Lift 22m Speed 3500r/min Motor Power 3kw (NPSH)r 4m Weight 85kgs Packing size 870x360x380
Certificate	ABS, LR, BV, DNVGL, NK, KR, IRS, RMRS, CCS	Warranty	12 Months unless specified otherwise
Origin	China		

JGGC32-2/2 Marine Vertical Centrifugal Pump



Model	JGGC32-2/2
Capacity	30m ³ /hour
Lift	22m
Speed	3500r/min
Motor Power	3kw
(NPSH) _r	4m
Weight	85kgs
Packing size	870x360x380