

# Jinbo Marine

Marine & Offshore Equipment Datasheet

PRODUCT DATASHEET

## EYE BOLTS & NUTS

# JIS B 1168 Eye Bolt

Main Specification Drop Forged Q235, 45# Finish: Galvanized Size Table Size Dimension(in) S.W.L. ...

ISO9001 Supplier

Class Certificate

Export Supply



### Key Highlights

|               |   |
|---------------|---|
| Category      | Eye Bolts & Nuts                                |
| Standard      | JIS   |
| Material      | Q235,45#  |
| Weight / Size | Galvanized Size Table Size Dimension(in) S.W.L. |
| Certificate   | ABS, LR, BV, DNVGL, NK, KR, IRS, RMRS, CCS      |

We can supply according to your requirement, drawings, class certificate needs, and delivery schedule.

### Technical Specifications

|               |   |             |                                      |
|---------------|---|-------------|--------------------------------------|
| Category      | Eye Bolts & Nuts                                | Model / SKU | JIS-B-1168-Eye-Bolt                  |
| Standard      | JIS   | Material    | Q235,45#                             |
| Weight / Size | Galvanized Size Table Size Dimension(in) S.W.L. | Surface     | Galvanized                           |
| Certificate   | ABS, LR, BV, DNVGL, NK, KR, IRS, RMRS, CCS      | Warranty    | 12 Months unless specified otherwise |
| Origin        | China   |             |                                      |

CONTENTS

- Main Specification
- Size Table

## Main Specification

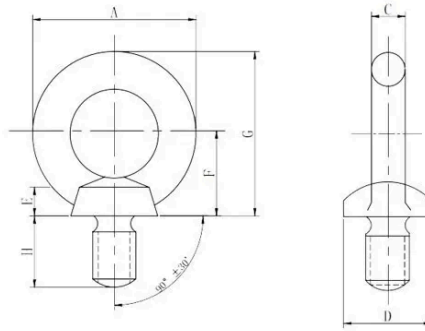
Drop Forged

Q235, 45#

Finish: Galvanized



## Size Table



| Size |        | Dimension(in) |      |      |      |      |      |       |      | S.W.L. | Weight |
|------|--------|---------------|------|------|------|------|------|-------|------|--------|--------|
| MM   | INCH   | A             | B    | C    | D    | E    | F    | G     | H    | (Ton)  | (lbs)  |
| M8   | 5/16U  | 1.28          | 0.79 | 0.25 | 0.63 | 5    | 17   | 1.31  | 0.59 | 0.08   | 0.09   |
| M10  | 3/8U   | 1.61          | 0.98 | 0.31 | 0.79 | 7    | 21   | 1.63  | 0.71 | 0.15   | 0.15   |
| M12  | 1/2U   | 1.97          | 1.18 | 0.39 | 0.98 | 9    | 26   | 2.01  | 0.87 | 0.22   | 0.31   |
| M16  | 5/8U   | 2.36          | 1.38 | 0.49 | 1.18 | 11   | 30   | 2.36  | 1.06 | 0.45   | 0.57   |
| M20  | 3/4U   | 2.83          | 1.57 | 0.63 | 1.38 | 13   | 35   | 2.8   | 1.18 | 0.63   | 0.95   |
| M22  | 7/8U   | 3.15          | 1.73 | 0.71 | 1.57 | 3.11 | 1.38 | 0.79  | 1.23 |        |        |
| M24  | 1U     | 3.54          | 1.97 | 0.79 | 1.77 | 18   | 45   | 3.54  | 1.5  | 0.95   | 1.87   |
| M30  | 1-1/4U | 4.33          | 2.36 | 0.98 | 2.36 | 22   | 55   | 4.33  | 1.77 | 1.5    | 3.74   |
| M36  | 1-1/2U | 5.24          | 2.76 | 1.24 | 2.76 | 26   | 65   | 5.18  | 2.17 | 2.3    | 6.61   |
| M42  | 1-3/4U | 5.94          | 3.15 | 1.4  | 3.15 | -    | -    | 5.93  | 2.56 | 3.4    | 9.91   |
| M48  | 2U     | 6.69          | 3.54 | 1.57 | 3.54 | -    | -    | 6.69  | 2.76 | 4.5    | 14.76  |
| M64  | -      | 8.27          | 4.33 | 1.97 | 4.33 | -    | -    | 8.27  | 3.54 | 9      | 24.89  |
| M80  | -      | 10.47         | 5.51 | 2.48 | 5.12 | -    | -    | 10.35 | 4.13 | 15     | -      |
| M90  | -      | 11.89         | 6.3  | 2.8  | 5.91 | -    | -    | 11.85 | 4.72 | 18     | -      |
| M100 | -      | 13.39         | 7.09 | 3.15 | 6.69 | -    | -    | 13.98 | 5.12 | 20     | -      |