

Jinbo Marine

Marine & Offshore Equipment Datasheet


PRODUCT DATASHEET

EYE BOLTS & NUTS

JIS B 1169 Eye Nut

Main Specification Drop Forged Q235, 45# Finish: Galvanized Size Table Size Dimension(in) S.W.L. (Ton) ...

- ISO9001 Supplier
- Class Certificate
- Export Supply



Key Highlights

Category	Eye Bolts & Nuts
Standard	JIS
Material	Q235,45#
Weight / Size	Galvanized Size Table Size Dimension(in) S.W.L.
Certificate	ABS, LR, BV, DNVGL, NK, KR, IRS, RMRS, CCS

We can supply according to your requirement, drawings, class certificate needs, and delivery schedule.

Technical Specifications			
Category	Eye Bolts & Nuts	Model / SKU	JIS-B-1169-Eye-Nut
Standard	JIS	Material	Q235,45#
Weight / Size	Galvanized Size Table Size Dimension(in) S.W.L.	Surface	Galvanized
Certificate	ABS, LR, BV, DNVGL, NK, KR, IRS, RMRS, CCS	Warranty	12 Months unless specified otherwise
Origin	China		

CONTENTS	<input checked="" type="checkbox"/> Main Specification	<input type="checkbox"/> Size Table
-----------------	--	-------------------------------------

Main Specification

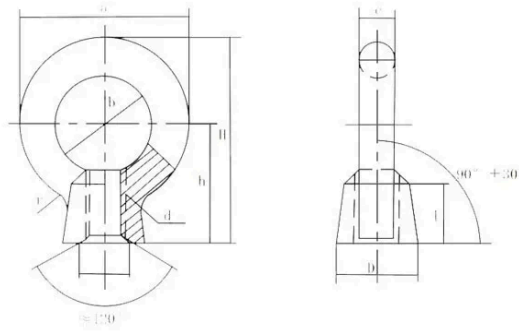
Drop Forged

Q235, 45#

Finish: Galvanized



Size Table



Size		Dimension(in)						S.W.L. (Ton)	Weight (lbs)
MM	INCH	A	B	C	D	H	L		
M8	5/16U	1.28	0.79	0.25	0.63	1.31	0.59	0.08	0.09
M10	3/8U	1.61	0.98	0.31	0.79	1.63	0.71	0.15	0.15
M12	1/2U	1.97	1.18	0.39	0.98	2.01	0.87	0.22	0.31
M16	5/8U	2.36	1.38	0.49	1.18	2.36	1.06	0.45	0.57
M20	3/4U	2.83	1.57	0.63	1.38	2.8	1.18	0.63	0.95
M22	7/8U	3.15	1.73	0.71	1.57	3.11	1.38	0.79	1.23
M24	1U	3.54	1.97	0.79	1.77	3.54	1.5	0.95	1.87
M30	1-1/4U	4.33	2.36	0.98	2.36	4.33	1.77	1.5	3.74
M36	1-1/2U	5.24	2.76	1.24	2.76	5.18	2.17	2.3	6.61
M42	1-3/4U	5.94	3.15	1.4	3.15	5.93	2.56	3.4	9.91
M48	2U	6.69	3.54	1.57	3.54	6.69	2.76	4.5	14.76
M64	-	8.27	4.33	1.97	4.33	8.27	3.54	9	24.89
M80	-	10.47	5.51	2.48	5.12	10.35	4.13	15	-
M90	-	11.89	6.3	2.8	5.91	11.85	4.72	18	-
M100	-	13.39	7.09	3.15	6.69	13.98	5.12	20	-