

Jinbo Marine

Marine & Offshore Equipment Datasheet

PRODUCT DATASHEET

MARINE CHOCK

JIS F 2007-1976 A Type Bulwark Mounted Mooring Chock

ISO9001 Supplier

Class Certificate

Export Supply

1.Strict quality control. 2.Certificate:BV,CCS,DNV,ABS,mill certificate 3.Material:cast steel ZG200-400,ZG230-450. 4.Paint:Grey Epoxy Primer or Black Bitumen Paint,also can do comply with your requireme...



Key Highlights

Category	Marine Chock
Standard	JIS
Material	Cast Steel
Weight / Size	Size chart:
Certificate	BV,CCS,ABS,mill certificate

We can supply according to your requirement, drawings, class certificate needs, and delivery schedule.

Technical Specifications

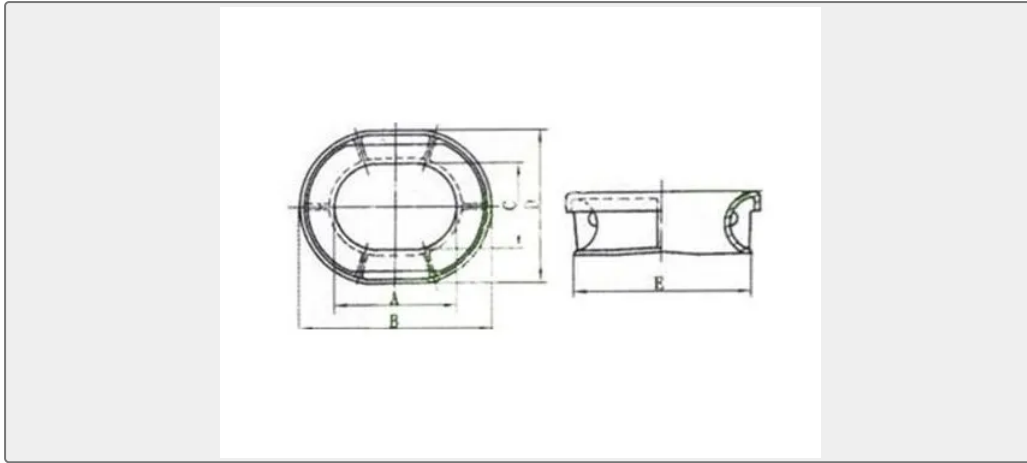
Category	Marine Chock	Model / SKU	JIS-F-2007-1976-A-Type-Bulwark-Mounted-Mooring-Chock
Standard	JIS	Material	Cast Steel
Weight / Size	Size chart:	Certificate	BV,CCS,ABS,mill certificate
Warranty	12 Months unless specified otherwise	Origin	China

CONTENTS

- China JIS F 2007-1976 A Type Bulwark Mounted Mooring Chock:
- Size chart:



China JIS F 2007-1976 A Type Bulwark Mounted Mooring Chock:



1. Strict quality control.
2. Certificate: BV, CCS, DNV, ABS, mill certificate
3. Material: cast steel ZG200-400, ZG230-450.
4. Paint: Grey Epoxy Primer or Black Bitumen Paint, also can do comply with your requirement for the thickness.
5. Packing: Steel shelf.

Size chart:

JIS F 2007-1976 A type Bulwark mounted [mooring chock](#)

Product No.	Size(mm)					Weight
	A	B	C	D	E	(KG)
BMA-001	150	300	110	260	129	15.1
BMA-002	200	368	150	318	143	20.5
BMA-003	250	430	200	380	155	26.9
BMA-004	300	500	250	450	169	42.7
BMA-005	350	560	250	460	179	50.8
BMA-006	400	632	250	482	195	76.3
BMA-007	450	700	250	500	209	102
BMA-008	500	760	250	510	219	115

