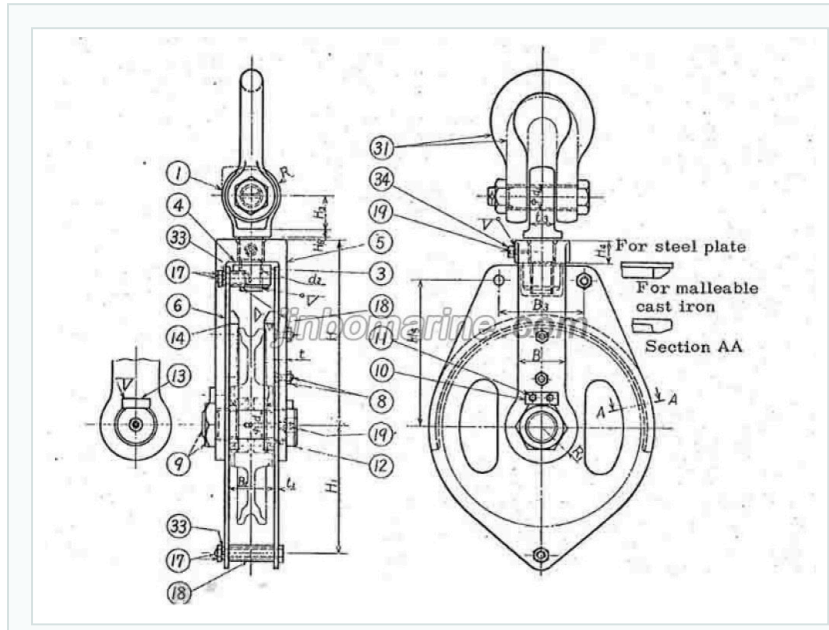


JIS STEEL CARGO BLOCK

JIS F 3429 Steel Cargo Block

Single Sheave, Bearing Type Type SWL(Ton) PL(Ton) Shackle 340-1AR 3.5 ...

- ISO9001 Supplier
- Class Certificate
- Export Supply



Key Highlights

Category	JIS Steel Cargo Block
Standard	JIS
Material	Steel
Certificate	ABS, LR, BV, DNVGL, NK, KR, IRS, RMRS, CCS

We can supply according to your requirement, drawings, class certificate needs, and delivery schedule.

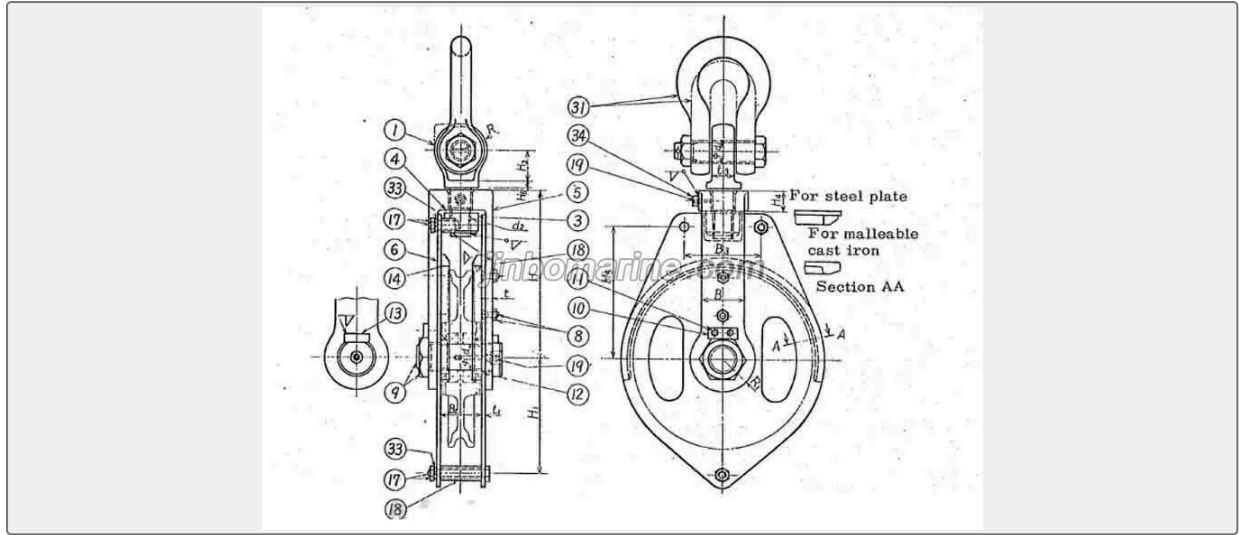
Technical Specifications

Category	JIS Steel Cargo Block	Model / SKU	JIS-F-3429-Steel-Cargo-Block
Standard	JIS	Material	Steel
Certificate	ABS, LR, BV, DNVGL, NK, KR, IRS, RMRS, CCS	Warranty	12 Months unless specified otherwise
Origin	China		

CONTENTS	■ Single Sheave, Bearing Type	■ DOUBLE SHEAVE, BEARING TYPE
	■ JIS F 3429 Steel Cargo Block photo	



Single Sheave, Bearing Type



Type	SWL(Ton)	PL(Ton)	Shackle
340-1AR	3.5	14	BB.SB34
340-1BR	3.5	21	BB.SB42
410-1AR	5	20	BB.SB40
410-1BR	5	30	BB.SB50
430-1AR	5.5	22	BB.SB42
430-1BR	5.5	33	BB.SB55
460-1AR	6	24	BB.SB44
460-1BR	6	36	BB.SB55
480-1AR	7	28	BB.SB48
480-1BR	7	42	BB.SB60

DOUBLE SHEAVE, BEARING TYPE

Type	SWL(Ton)	PL(Ton)	Shackle
340-2AR	13	26	BB.SB46
340-2BR	16	32	BB.SB55
410-2AR	19	38	BB.SB60
410-2BR	23	46	BB.SB65
430-2AR	21	42	BB.SB60
430-2BR	25	51	BB.SB65
460-2AR	23	46	BB.SB65
460-2BR	28	53	BB.SB70

480-2AR	28	53	BB.SB70
480-2BR	34	59	BB.SB75

JIS F 3429 Steel Cargo Block photo

