

Jinbo Marine

Marine & Offshore Equipment Datasheet

PRODUCT DATASHEET

CHAIN STOPPER

JIS F2002-1976 Cast Iron Bar Type Chain Stopper

ISO9001 Supplier

Class Certificate

Export Supply

Chain stopper is use for fix the anchor chain prevent it roll out,it can reduce the working load of chain effectively to protect windlass. 1.Certificate:CCS,BV,ABS,DNV etc. 2.Surface Treatment:Polished,galv...



Key Highlights

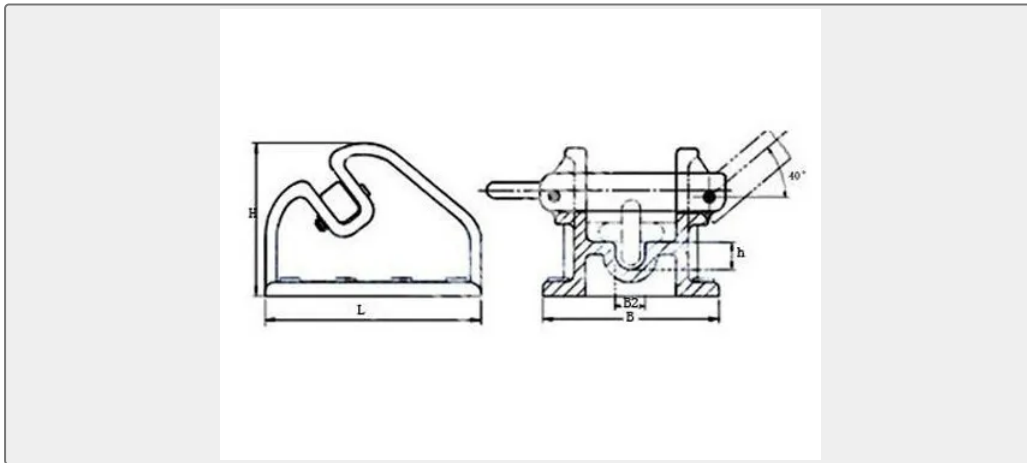
Category	Chain Stopper
Standard	JIS
Material	cast iron
Weight / Size	Nominal Chain Dia.(mm) Dimensions(mm) B H L h B2 weight(kg) 17-19 195 19...
Certificate	ABS , BV, CCS, mill certificate etc.

We can supply according to your requirement, drawings, class certificate needs, and delivery schedule.



Technical Specifications			
Category	Chain Stopper	Model / SKU	JIS-F2002-1976-Cast-Iron-Bar-Type-Chain-Stopper
Standard	JIS	Material	cast iron
Weight / Size	Nominal Chain Dia.(mm) Dimensions(mm) B H L h B2 weight(kg) 17-19 195 190 270 32 32 22 20-22 215 216 310 37 38 31 23-25 240 241 345 43 43 44 26-28 265 270 385 48 49 58 30-32 305 305 435 54 55 89 34-36 340 342 490 61 61 122 38-40 370 378 540 68 65 160 42-44 405 412 590 75 72 208 46-48 440 450 640 82 78 272 50-52 470 491 695 88 85 338 54-56 495 522 745 95 92 414 58- 60 530 564 795 102 98 505 62-64 565 600 850 109 104 618 66-68 590 635 900 116 110 737	Surface	galvanized
Certificate	ABS , BV, CCS, mill certificate etc.	Warranty	12 Months unless specified otherwise
Origin	China		

China JIS F2002-1976 Cast Iron Bar Type Chain Stopper:



[Chain stopper](#) is use for fix the anchor chain prevent it roll out,it can reduce the working load of chain effectively to protect windlass.

- 1.Certificate:CCS,BV,ABS,DNV etc.
- 2.Surface Treatment:Polished,galvanized or bitumen painted
- 3.Can be customized according to customers requirements
- 4.Long service life,endurable.



Nominal Chain Dia.(mm)	Dimensions(mm)					
	B	H	L	h	B2	weight(kg)
17-19	195	190	270	32	32	22
20-22	215	216	310	37	38	31
23-25	240	241	345	43	43	44
26-28	265	270	385	48	49	58
30-32	305	305	435	54	55	89
34-36	340	342	490	61	61	122
38-40	370	378	540	68	65	160
42-44	405	412	590	75	72	208
46-48	440	450	640	82	78	272
50-52	470	491	695	88	85	338
54-56	495	522	745	95	92	414
58-60	530	564	795	102	98	505
62-64	565	600	850	109	104	618
66-68	590	635	900	116	110	737