

# Jinbo Marine

Marine & Offshore Equipment Datasheet

PRODUCT DATASHEET

## WARPING ROLLER

# JIS F2014-1987 Fairlead Roller

JIS F2014-1987 fairlead roller-----Also known as CB58-83 Fairlead roller With primer paint finish our Roller can be immediately ready for any vessel installation,our fairlead roller range utilises a comb...

ISO9001 Supplier

Class Certificate

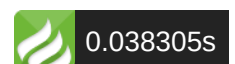
Export Supply



### Key Highlights

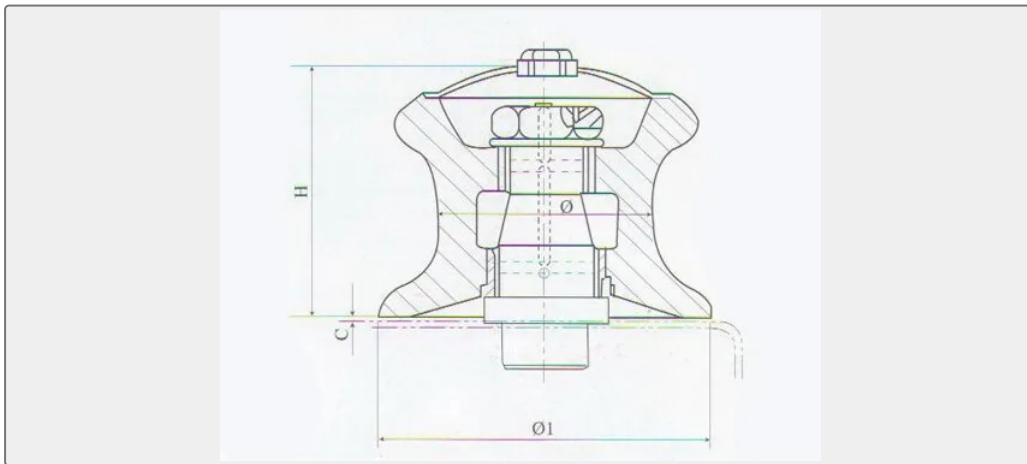
Category	Warping Roller
Standard	JIS
Material	cast steel,cast iron
Weight / Size	Nominal Steel rope GB1102 Breaking Load 1520N/mm2 Base size Dimension We...
Certificate	ABS, BV, CCS,mill certificate etc.

We can supply according to your requirement, drawings, class certificate needs, and delivery schedule.



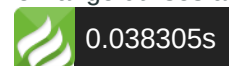
Technical Specifications			
Category	Warping Roller	Model / SKU	JIS-F2014-1987-Fairlead-Roller
Standard	JIS	Material	cast steel,cast iron
Weight / Size	Nominal Steel rope GB1102 Breaking Load 1520N/mm2 Base size Dimension Weight KG Size(mm) 6*24 6*30 6*37 a b c l d R D1 H S Cast iron Cast steel C5R-001 100 11 11 11 60 125 8 6 48 30 160 128 3 9.4 9.9 C5R-002 150 17 17.5 15 75 190 12 8 71 40 240 211 3 32.1 33.8 C5R-003 200 22.5 21.5 19.5 85 230 14 10 95 40 310 251 3 64.6 68 C5R-004 250 24 26 24 100 265 14 10 107 40 380 298 4 108 114 C5R-005 300 30 32.5 28 100 320 16 14 127 60 440 321 4 159 168 C5R-006 350 37.5 39 34.5 100 350 18 14 144 60 500 346 4 235 248 C5R-007 400 41 39 39 100 380 20 16 161 60 560 371 5 336 355 C5R-008 450 44.5 47.5 43 100 410 20 16 180 60 620 394 5 413 462	Surface	JIS F2014-1987 fairlead roller----- -----Also known as CB58-83 Fairlead roller With primer paint finish our Roller can be immediately ready for any vessel installation,our fairlead roller range utilises a combination of horizontal and vertical rollers to give you a good solution for your needs.
Certificate	ABS, BV, CCS,mill certificate etc.	Warranty	12 Months unless specified otherwise
Origin	China		

**China JIS F2014-1987 Fairlead Roller:**



JIS F2014-1987 fairlead roller-----Also known as CB58-83 Fairlead roller

With primer paint finish our Roller can be immediately ready for any vessel installation,our fairlead roller range utilises a combination of horizontal and vertical rollers to give you a good solution for your needs.



- 1.Certificate: ABS, BV, GL, DNV, CCS,mill certificate etc.
- 2.Finish: Epoxy finishing
- 3.Can be designed according to customers requirements.
- 4.Easily removable shafts.

JIS F2014-1987 fairlead roller/CB58-83 Fairlead roller															
Product No.	Nominal	Steel rope GB1102 Breaking Load 1520N/mm2			Base size						Dimension			Weight KG	
		6*24	6*30	6*37	a	b	c	c1	d	R	D1	H	S	Cast iron	Cast steel
C5R-001	100	11	11	11	60	125	8	6	48	30	160	128	3	9.4	9.9
C5R-002	150	17	17.5	15	75	190	12	8	71	40	240	211	3	32.1	33.8
C5R-003	200	22.5	21.5	19.5	85	230	14	10	95	40	310	251	3	64.6	68
C5R-004	250	24	26	24	100	265	14	10	107	40	380	298	4	108	114
C5R-005	300	30	32.5	28	100	320	16	12	127	60	440	321	4	159	168
C5R-006	350	37.5	39	34.5	100	350	18	14	144	60	500	346	4	235	248
C5R-007	400	41	39	39	100	380	20	16	161	60	560	371	5	336	355
C5R-008	450	44.5	47.5	43	100	410	22	18	180	60	620	394	5	413	462

