

Jinbo Marine

Marine & Offshore Equipment Datasheet

PRODUCT DATASHEET

MARINE CHOCK

JIS F2017-1982 BC Type Bulwark Mounted Panama Chock

ISO9001 Supplier

Class Certificate

Export Supply

Ship chock is used on all kinds of ship,vessel,boat,tanker,tug etc. We provide reliable quality goods in fast delivery time.Different standards marine chock available. Description:

1.Material:cast steel. ...



Key Highlights

Category	Marine Chock
Standard	JIS
Material	Cast Steel
Weight / Size	General size chart:
Certificate	CCS,BV,ABS, mill certificate available.

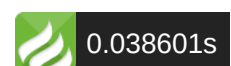
We can supply according to your requirement, drawings, class certificate needs, and delivery schedule.

Technical Specifications

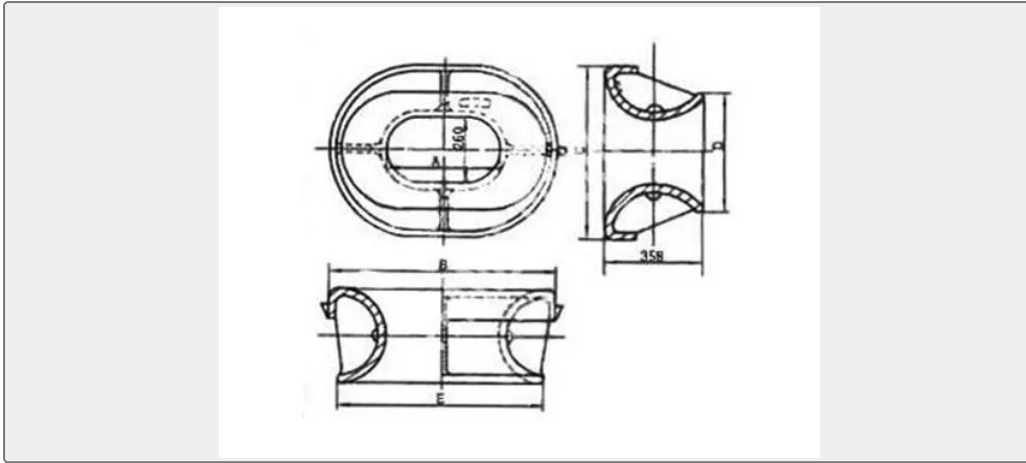
Category	Marine Chock	Model / SKU	JIS-F2017-1982-BC-Type-Bulwark-Mounted-Panama-Chock
Standard	JIS	Material	Cast Steel
Weight / Size	General size chart:	Surface	3.Surface treatment:
Certificate	CCS,BV,ABS, mill certificate available.	Warranty	12 Months unless specified otherwise
Origin	China		

CONTENTS

- China JIS F2017-1982 BC Type Bulwark Mounted Panama Chock:
- General size chart:
- Description:



China JIS F2017-1982 BC Type Bulwark Mounted Panama Chock:



Ship chock is used on all kinds of ship,vessel,boat,tanker,tug etc. We provide reliable quality goods in fast delivery time.Different standards marine chock available.

Description:

- 1.Material:cast steel.
- 2.Certificate:CCS,BV,DNV,ABS,mill certificate available.
- 3.Surface treatment: sand blasting.
- 4.Painting:Epoxy zinc rich primer or Black bitumen paint.
- 5.Packing:Iron shelf or as per your request.

General size chart:

JIS F2017-1982 BC Type Bulwark mounted Panama Chock						
Model	Size(mm)					Weight (KG)
	A	B	C	D	E	
PBC-001	310	734	684	462	652	276
PBC-002	360	788	688	464	704	305
PBC-003	400	832	692	470	750	344
PBC-004	450	886	696	474	802	385
PBC-005	500	940	700	478	854	422

