

## CHAIN STOPPER

# JIS F2023-1976 Cast Steel Bar Type Chain Stopper

ISO9001 Supplier

Class Certificate

Export Supply

The chain stopper structure is simple. Good wear and corrosion resistance guarantee the chain stopper is durable and long service life. Can be produced as per customer drawings.  
Process: Casting and Machining. ...



## Key Highlights

Category	Chain Stopper
Standard	JIS
Material	Cast Steel
Weight / Size	Surface Treatment: Polished, galvanized or bitumen painted Size Chart:
Certificate	ABS, BV, CCS, mill certificate etc.

We can supply according to your requirement, drawings, class certificate needs, and delivery schedule.

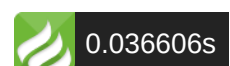
## Technical Specifications

Category	Chain Stopper	Model / SKU	JIS-F2023-1976-Cast-Steel-Bar-Type-Chain-Stopper
Standard	JIS	Material	Cast Steel
Weight / Size	Surface Treatment: Polished, galvanized or bitumen painted Size Chart:	Surface	galvanized
Certificate	ABS, BV, CCS, mill certificate etc.	Warranty	12 Months unless specified otherwise
Origin	China		

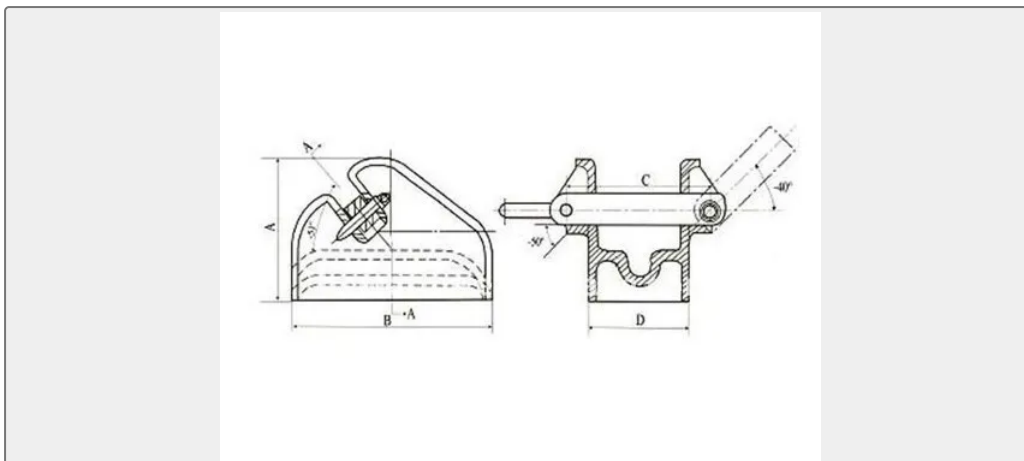
### CONTENTS

- China JIS F2023-1976 Cast Steel Bar Type Chain Stopper:

- Size Chart:



## China JIS F2023-1976 Cast Steel Bar Type Chain Stopper:



The chain stopper structure is simple. Good wear and corrosion resistance guarantee the [chain stopper](#) is durable and long service life

Can be produced as per customer drawings

Process: Casting and Machining.

Certificate: CCS, BV, ABS, DNV etc.

Surface Treatment: Polished, galvanized or bitumen painted

### Size Chart:

JIS F2023-1976 Cast Steel Bar Type Chain Stopper						
Diameter of Apply Anchor Chain (mm)	17~19	20~22	23~25	26~28	30~32	34~36
A(mm)	190	216	241	270	305	342
B(mm)	270	310	345	385	435	490
C(mm)	200	226	256	280	320	254
D(mm)	134	153	175	193	220	246
Weight(kg)	17	24	33	44	68	92

