

## CHAIN STOPPER

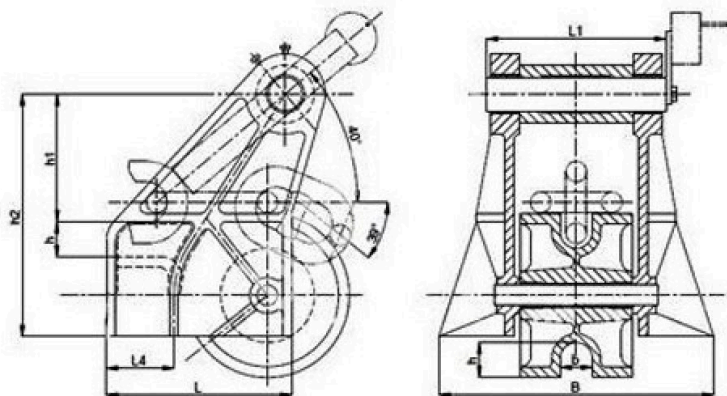
# JIS F2031 Cast Steel Roller Pawl Type Chain Stopper

ISO9001 Supplier

Class Certificate

Export Supply

JIS F2031 Cast Steel Roller Pawl Type Chain Stopper is a device between anchor windlass and hawsepipe, it can fix the anchor chain prevent it roll out. .When the vessel mooring ,chain stopper transport the pull strength ...



## Key Highlights

Category	Chain Stopper
Standard	JIS
Material	Cast Steel
Weight / Size	When sailing it stand the anchor weight and inertial force.
Certificate	ABS , BV, DNV, CCS, mill certificate etc.

We can supply according to your requirement, drawings, class certificate needs, and delivery schedule.

## Technical Specifications

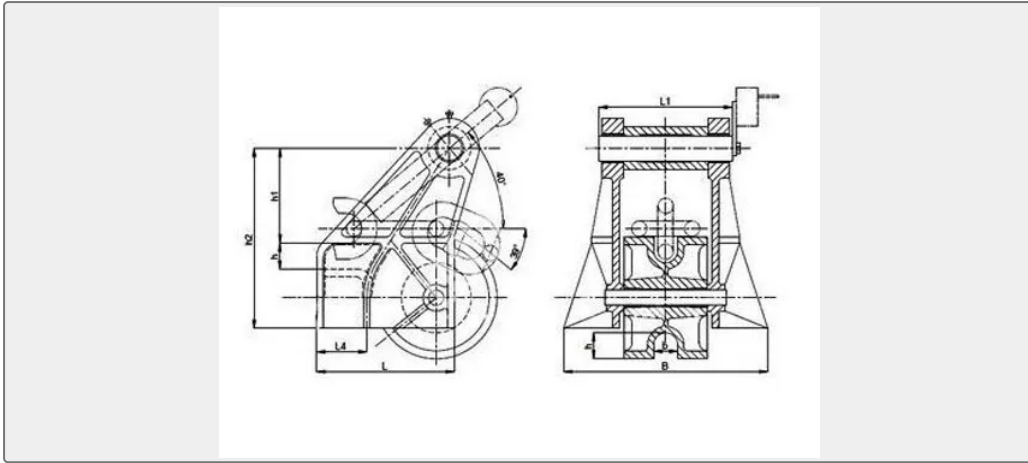
Category	Chain Stopper	Model / SKU	JIS-F2031-Cast-Steel-Roller-Pawl-Type-Chain-Stopper
Standard	JIS	Material	Cast Steel
Weight / Size	When sailing it stand the anchor weight and inertial force.	Surface	Chain Dia.:70mm-132mm Finish:
Certificate	ABS , BV, DNV, CCS, mill certificate etc.	Warranty	12 Months unless specified otherwise
Origin	China		

## CONTENTS

■ China JIS F2031 Cast Steel Roller Pawl Type Chain Stopper:

■ Feature:

# China JIS F2031 Cast Steel Roller Pawl Type Chain Stopper:



JIS F2031 Cast Steel Roller Pawl Type Chain Stopper is a device between anchor windlass and hawsepipe, it can fix the anchor chain prevent it roll out. .When the vessel mooring ,chain stopper transport the pull strength of anchor and chain to vessel, can reduce the working load protect the anchor windlass. When sailing it stand the anchor weight and inertial force.

Customized service is available, Advanced equipment ,Strong consciousness in controlling quality.

## Feature:

1. Excellent quality.
2. Competitive price.
3. Durable, long lifetime.
4. Certificate: CCS BV ABS GL ETC.

Process:casting, forging, welding

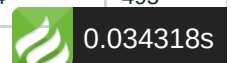
Material:Cast iron, cast steel.

Chain Dia.:70mm-132mm

Finish: anti-rust paint

Withstand 80% of Chain Cable's breaking load

JIS F-2031 Cast Steel Pawl Type Chain Stopper							
Dimension(mm)							
Nominal Chain Dia.(mm)	B	b	L	h	h1	h2	Weight
							(kg)
36-42	422	66	530	69	124	280	249
42-46	480	75	620	78	142	316	396
48-51	520	82	680	86	155	349	429
52-56	560	89	730	95	170	370	465
58-60	600	95	780	102	182	394	495



62-64	630	101	835	109	191	421	582
66-68	660	107	885	116	200	446	701
70-73	700	115	950	125	212	478	846
76-78	750	123	1015	133	222	511	1014
81-84	800	134	1095	143	235	550	1268
87-90	850	143	1170	153	248	588	1498
92-95	900	151	1235	162	260	620	1769
97-102	950	161	1350	175	276	665	2277
105-107	1000	170	1400	185	289	703	2664
111-114	1050	180	1480	195	302	742	3054
117-122	1120	191	1585	207	318	790	3660