

Jinbo Marine

Marine & Offshore Equipment Datasheet

PRODUCT DATASHEET

CHAIN STOPPER

JIS F2033 Roller Bar Type Chain Stopper

ISO9001 Supplier

Class Certificate

Export Supply

JIS F2033 Roller Bar Type Chain Stopper is use for grade 3 chain cable.
Process:casting,polishing Provide CCS,BV,ABS,DNV, mill certificate etc. Material:Cast iron, cast steel. Withstand 80% of Cha...



Key Highlights

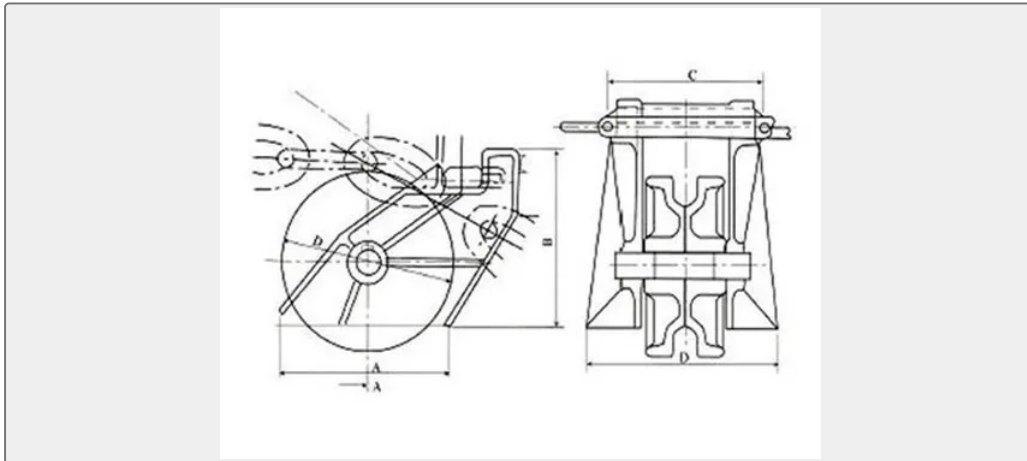
Category	Chain Stopper
Standard	JIS
Material	Cast iron, cast steel.
Weight / Size	JIS F-2033 Roller Bar Type Chain Stopper Nominal Chain Dia.(mm) Dimensio...
Certificate	ABS , BV, CCS,mill certificate etc.

We can supply according to your requirement, drawings, class certificate needs, and delivery schedule.



Technical Specifications			
Category	Chain Stopper	Model / SKU	JIS-F2033-Roller-Bar-Type-Chain-Stopper
Standard	JIS	Material	Cast iron, cast steel.
Weight / Size	JIS F-2033 Roller Bar Type Chain Stopper Nominal Chain Dia.(mm) Dimension(mm) Weight(kg) A B C D 70-73 730 715 700 730 1000 76-78 780 760 730 780 1180 81- 84 840 820 780 840 1470 87-90 900 890 840 900 1780 92-95 980 945 880 950 2110 97-100-102 1020 1005 940 1020 2380 105- 107 1070 1070 990 1070 2900 111-114 1140 1140 1040 1140 3440 117-122 1220 1220 1100 1220 4100 127-132 1320 1315 1170 1320 5080	Certificate	ABS , BV, CCS,mill certificate etc.
Warranty	12 Months unless specified otherwise	Origin	China

China JIS F2033 Roller Bar Type Chain Stopper:



JIS F2033 Roller [Bar Type Chain Stopper](#) is use for grade 3 chain cable.

Process:casting,polishing

Provide CCS,BV,ABS,DNV, mill certificate etc.

Material:Cast iron, cast steel.

Withstand 80% of Chain Cable's breaking load

All products can be designed according to customers requirements.

JIS F-2033 Roller Bar Type Chain Stopper



Nominal Chain Dia.(mm)	Dimension(mm)				Weight(kg)
	A	B	C	D	
70-73	730	715	700	730	1000
76-78	780	760	730	780	1180
81-84	840	820	780	840	1470
87-90	900	890	840	900	1780
92-95	980	945	880	950	2110
97-100-102	1020	1005	940	1020	2380
105-107	1070	1070	990	1070	2900
111-114	1140	1140	1040	1140	3440
117-122	1220	1220	1100	1220	4100
127-132	1320	1315	1170	1320	5080