

# Jinbo Marine

Marine &amp; Offshore Equipment Datasheet

PRODUCT DATASHEET

## JIS STEEL CARGO BLOCK

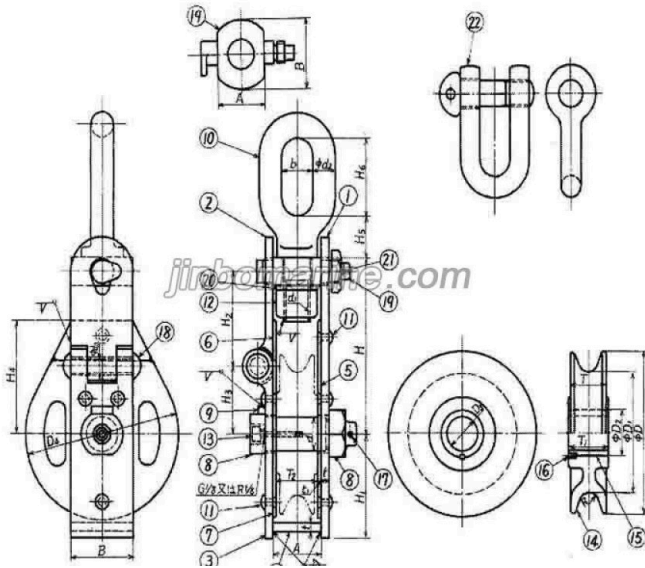
## JIS F3422 Ship Snatch Block

JIS F3422 Ship Snatch Block Type &amp;nbsp;  SWL(Ton) PL(Ton) Shackle SMH200 1.25 ...

ISO9001 Supplier

Class Certificate

Export Supply



### Key Highlights

Category	JIS Steel Cargo Block
Standard	JIS
Material	Steel
Certificate	ABS, LR, BV, DNVGL, NK, KR, IRS, RMRS, CCS

We can supply according to your requirement, drawings, class certificate needs, and delivery schedule.

### Technical Specifications

Category	JIS Steel Cargo Block	Model / SKU	JIS-F3422-Ship-Snatch-Block
Standard	JIS	Material	Steel
Certificate	ABS, LR, BV, DNVGL, NK, KR, IRS, RMRS, CCS	Warranty	12 Months unless specified otherwise
Origin	China		

### JIS F3422 Ship Snatch Block

Type	SWL(Ton)	PL(Ton)	Shackle
SMH200	1.25	5	SC20orSD23
SME200	1.25	5	SC20orSD24
SW160	1	4	SC18orSD22
SW200	2	8	SC26orSD30
SW240	3	12	SC32orSD38

 0.054146s