

Jinbo Marine

Marine & Offshore Equipment Datasheet

PRODUCT DATASHEET

MARINE STOCKLESS ANCHOR

JIS Stockless Anchor

JIS Stockless Anchors Weight is from 180kgs to 20000kgs, made of casting steel, black painting. We supply the JIS Stockless for sale for more than 7 years, safety, high quality, professional, fast delivery and Reliable Partner...

- ISO9001 Supplier
- Class Certificate
- Export Supply



Key Highlights

| | |
|---------------|--|
| Category | Marine Stockless Anchor |
| Standard | JIS |
| Material | Casting Steel |
| Weight / Size | from 180kgs to 20000kgs |
| Certificate | LR, ABS, BV, GL, DNV, NK, RS, KR, IRS, CCS |

We can supply according to your requirement, drawings, class certificate needs, and delivery schedule.

Technical Specifications

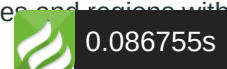
| | | | |
|---------------|--|-------------|--------------------------------------|
| Category | Marine Stockless Anchor | Model / SKU | JIS-Stockless-Anchor |
| Standard | JIS | Material | Casting Steel |
| Weight / Size | from 180kgs to 20000kgs | Surface | black painting |
| Certificate | LR, ABS, BV, GL, DNV, NK, RS, KR, IRS, CCS | Warranty | 12 Months unless specified otherwise |
| Origin | China | | |

| | | |
|----------|--|---------------------------------------|
| CONTENTS | ■ China JIS Stockless Anchor: | ■ JIS Stockless Anchor Specification: |
| | ■ 3300kgs Japan Stockless Anchor Proof Load Test | ■ Proof Load Test for JIS Anchors |

China JIS Stockless Anchor:

JIS Stockless Anchors Weight is from 180kgs to 20000kgs, made of casting steel, black painting. We supply the JIS Stockless for sale for more than 7 years, safety, high quality, professional, fast delivery and Reliable Partner in China.

The JIS Anchor Stockless Type supplied to many shipyards in Indonesia, Malaysia and other countries and regions with ABS, LR, NK, BV, IRS and other certificate.



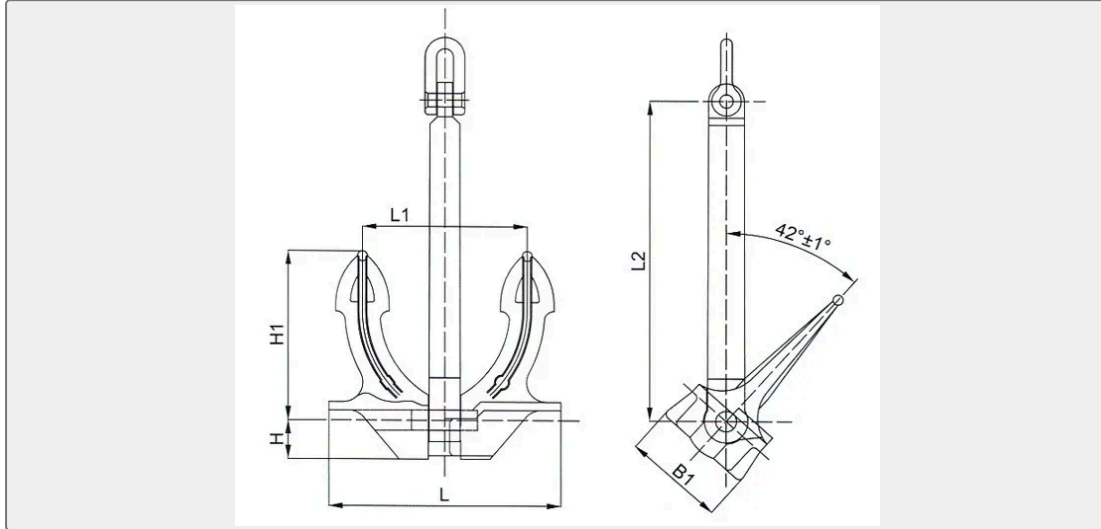
We welcome you to contact us for more details or inquiry.

JIS Stockless Anchor Specification:

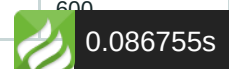
Material: Casting Steel

Type: JIS Stockless Anchor

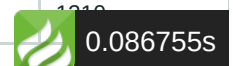
Weight: 180KGS to 20000KGS



| Weight/Mass (KG) | Size(mm) | | | | | |
|------------------|----------|-----|------|-----|------|-----|
| | L | L1 | L2 | H | H1 | H2 |
| 180KGS | 650 | 459 | 910 | 111 | 480 | 280 |
| 240KGS | 720 | 510 | 1010 | 122 | 530 | 310 |
| 300KGS | 770 | 540 | 1080 | 131 | 570 | 331 |
| 360KGS | 820 | 580 | 1150 | 139 | 610 | 353 |
| 420KGS | 860 | 610 | 1200 | 146 | 640 | 370 |
| 480KGS | 900 | 640 | 1260 | 153 | 670 | 387 |
| 570KGS | 950 | 670 | 1330 | 162 | 700 | 408 |
| 660KGS | 1000 | 710 | 1440 | 170 | 740 | 430 |
| 780KGS | 1060 | 750 | 180 | 180 | 780 | 456 |
| 900KGS | 1110 | 780 | 1550 | 189 | 820 | 477 |
| 1020KGS | 1160 | 820 | 1620 | 197 | 860 | 500 |
| 1140KGS | 1200 | 850 | 1680 | 204 | 890 | 520 |
| 1290KGS | 1250 | 880 | 1750 | 212 | 920 | 540 |
| 1440KGS | 1300 | 920 | 1820 | 221 | 960 | 560 |
| 1590KGS | 1340 | 950 | 1880 | 228 | 990 | 580 |
| 1740KGS | 1380 | 980 | 1930 | 235 | 1020 | 600 |



| | | | | | | |
|----------|------|------|------|-----|-------|------|
| 1920KGS | 1430 | 1010 | 2000 | 243 | 1060 | 620 |
| 2100KGS | 1470 | 1040 | 2060 | 250 | 1090 | 640 |
| 2280KGS | 1510 | 1070 | 2110 | 257 | 1120 | 650 |
| 2460KGS | 1550 | 1100 | 2170 | 264 | 1150 | 670 |
| 2640KGS | 1590 | 1120 | 2230 | 270 | 1180 | 690 |
| 2850KGS | 1630 | 1150 | 2280 | 277 | 1210 | 700 |
| 3060KGS | 1670 | 1180 | 2340 | 284 | 12140 | 720 |
| 3300KGS | 1710 | 1210 | 2390 | 291 | 1270 | 740 |
| 3540KGS | 1750 | 1240 | 2450 | 298 | 1290 | 750 |
| 3780KGS | 1790 | 1260 | 2510 | 304 | 1320 | 770 |
| 4050KGS | 1830 | 1290 | 2560 | 311 | 1350 | 790 |
| 4320KGS | 1870 | 1320 | 2620 | 318 | 1380 | 800 |
| 4590KGS | 1910 | 1350 | 2670 | 325 | 1410 | 820 |
| 4890KGS | 1950 | 1380 | 2730 | 332 | 1440 | 840 |
| 5250KGS | 2000 | 1410 | 2800 | 340 | 1480 | 860 |
| 5610KGS | 2040 | 1440 | 2860 | 347 | 1510 | 880 |
| 6000KGS | 2090 | 1480 | 2930 | 355 | 1540 | 900 |
| 6450KGS | 2140 | 1510 | 3000 | 364 | 1580 | 920 |
| 6900KGS | 2190 | 1550 | 3070 | 372 | 1620 | 940 |
| 7350KGS | 2260 | 1600 | 3140 | 380 | 1660 | 960 |
| 7800KGS | 2280 | 1610 | 3190 | 388 | 1680 | 980 |
| 8300KGS | 2330 | 1650 | 3260 | 396 | 1720 | 1000 |
| 8700KGS | 2380 | 1670 | 3320 | 403 | 1750 | 1020 |
| 9300KGS | 2420 | 1710 | 3390 | 411 | 1790 | 1040 |
| 9900KGS | 2470 | 1740 | 3460 | 420 | 1820 | 1060 |
| 10500KGS | 2540 | 1800 | 3530 | 430 | 1880 | 1090 |
| 11100KGS | 2540 | 1800 | 3600 | 430 | 1880 | 1090 |
| 11700KGS | 2630 | 1855 | 3650 | 445 | 1945 | 1130 |
| 12300KGS | 2630 | 1855 | 3710 | 445 | 1945 | 1130 |
| 12900KGS | 2670 | 1885 | 3770 | 453 | 1975 | 1170 |
| 13500KGS | 2670 | 1885 | 3840 | 453 | 1975 | 1170 |
| 14100KGS | 2780 | 1960 | 3890 | 473 | 2050 | 1200 |
| 14700KGS | 2820 | 1990 | 3950 | 479 | 2080 | 1210 |

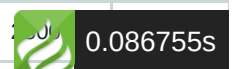


| | | | | | | |
|----------|------|------|------|-----|------|------|
| 15400KGS | 2860 | 2020 | 4000 | 486 | 2110 | 1230 |
| 16100KGS | 2900 | 2050 | 4060 | 493 | 2140 | 1250 |
| 16900KGS | 2950 | 2080 | 4130 | 500 | 2180 | 1270 |
| 17800KGS | 3000 | 2120 | 4200 | 510 | 2210 | 1290 |
| 18800KGS | 3060 | 2160 | 4280 | 520 | 2260 | 1320 |
| 20000KGS | 3120 | 2200 | 4370 | 530 | 2300 | 1340 |
| 21500KGS | 3200 | 2260 | 4480 | 540 | 2360 | 1380 |
| 23000KGS | 3270 | 2310 | 4580 | 560 | 2140 | 1410 |
| 24500KGS | 3340 | 2360 | 4680 | 570 | 2460 | 1440 |
| 26000KGS | 3410 | 2410 | 4770 | 580 | 2520 | 1470 |
| 27500KGS | 3470 | 2450 | 4860 | 590 | 2560 | 1490 |
| 29000KGS | 3530 | 2490 | 4840 | 600 | 2610 | 1520 |
| 31000KGS | 3610 | 2550 | 5050 | 640 | 2660 | 1550 |
| 33000KGS | 3690 | 2610 | 5170 | 630 | 2720 | 1590 |
| 35500KGS | 3780 | 2670 | 5290 | 640 | 2790 | 1630 |
| 38500KGS | 3880 | 2740 | 5430 | 660 | 2860 | 1670 |
| 42000KGS | 4000 | 2820 | 5600 | 680 | 2950 | 1720 |
| 46000KGS | 4120 | 2910 | 5770 | 700 | 3040 | 1770 |

3300kgs Japan Stockless Anchor Proof Load Test

Proof Load Test for JIS Anchors

| Mass of anchor | Proof test load | Mass of anchor | Proof test load | Mass of anchor | Proof test load | Mass of anchor | Proof test load | Mass of anchor | Proof test load | Mass of anchor | Proof test load |
|----------------|-----------------|----------------|-----------------|----------------|-----------------|----------------|-----------------|----------------|-----------------|----------------|-----------------|
| Kg | kN | Kg | kN | Kg | kN | Kg | kN | Kg | kN | Kg | kN |
| 50 | 23.6 | 550 | 125 | 2200 | 376 | 4800 | 645 | 7800 | 861 | 17500 | 1390 |
| 55 | 25.2 | 600 | 132 | 2300 | 388 | 4900 | 653 | 8000 | 877 | 18000 | 1410 |
| 60 | 27.1 | 650 | 140 | 2400 | 401 | 5000 | 661 | 8200 | 892 | 18500 | 1440 |
| 65 | 28.9 | 700 | 149 | 2500 | 414 | 5100 | 669 | 8400 | 908 | 19000 | 1470 |
| 70 | 30.7 | 750 | 158 | 2600 | 427 | 5200 | 677 | 8600 | 922 | 19500 | 1490 |
| 75 | 32.4 | 800 | 166 | 2700 | 438 | 5300 | 685 | 8800 | 936 | 20000 | 1520 |
| 80 | 33.9 | 850 | 175 | 2800 | 450 | 5400 | 691 | 9000 | 949 | 21000 | 1570 |
| 90 | 36.3 | 900 | 182 | 2900 | 462 | 5500 | 699 | 9200 | 961 | 22000 | 1620 |
| 100 | 39.1 | 950 | 191 | 3000 | 474 | 5600 | 706 | 9400 | 975 | | |



| | | | | | | | | | | | |
|-----|------|------|-----|------|-----|------|-----|-------|------|-------|------|
| 120 | 44.3 | 1000 | 199 | 3100 | 484 | 5700 | 713 | 9600 | 987 | 24000 | 1720 |
| 140 | 49.1 | 1050 | 208 | 3200 | 495 | 5800 | 721 | 9800 | 999 | 25000 | 1770 |
| 160 | 53.3 | 1100 | 216 | 3300 | 506 | 5900 | 728 | 10000 | 1010 | 26000 | 1800 |
| 180 | 57.4 | 1150 | 224 | 3400 | 517 | 6000 | 735 | 10500 | 1040 | 27000 | 1850 |
| 200 | 61.3 | 1200 | 231 | 3500 | 528 | 6100 | 740 | 11000 | 1070 | 28000 | 1900 |
| 225 | 66.8 | 1250 | 239 | 3600 | 537 | 6200 | 747 | 11500 | 1090 | 29000 | 1940 |
| 250 | 70.4 | 1300 | 247 | 3700 | 547 | 6300 | 754 | 12000 | 1110 | 30000 | 1990 |
| 275 | 74.9 | 1350 | 255 | 3800 | 557 | 6400 | 760 | 12500 | 1130 | 31000 | 2030 |
| 300 | 79.6 | 1400 | 262 | 3900 | 567 | 6500 | 767 | 13000 | 1160 | 32000 | 2070 |
| 325 | 84.2 | 1450 | 270 | 4000 | 577 | 6600 | 773 | 13500 | 1180 | 34000 | 2160 |
| 350 | 88.8 | 1500 | 278 | 4100 | 586 | 6700 | 779 | 14000 | 1210 | 36000 | 2250 |
| 375 | 93.4 | 1600 | 292 | 4200 | 595 | 6800 | 786 | 14500 | 1230 | 38000 | 2330 |
| 400 | 97.9 | 1700 | 307 | 4300 | 604 | 6900 | 795 | 15000 | 1260 | 40000 | 2410 |
| 425 | 103 | 1800 | 321 | 4400 | 613 | 7000 | 804 | 15500 | 1270 | 42000 | 2490 |
| 450 | 107 | 1900 | 335 | 4500 | 622 | 7200 | 818 | 16000 | 1300 | 44000 | 2570 |
| 475 | 112 | 2000 | 349 | 4600 | 631 | 7400 | 832 | 16500 | 1330 | 46000 | 2650 |
| 500 | 116 | 2100 | 362 | 4700 | 638 | 7600 | 845 | 17000 | 1360 | 48000 | 2730 |