

HOSE CRIMPING MACHINE

JK400 Tube Crimper

JK400 tube crimper is mainly used for pipe in mechanical engineering in high-pressure hose assembly burke processing, but also burke two-way elbow and super elbow and alien head. This machine is compact, small appe...

ISO9001 Supplier

Class Certificate

Export Supply



Key Highlights

Category	Hose Crimping Machine
Standard	EN
Weight / Size	4 KW Voltage:380V Weight:300kg Overall dimensions:
Certificate	ABS, LR, BV, DNVGL, NK, KR, IRS, RMRS, CCS

We can supply according to your requirement, drawings, class certificate needs, and delivery schedule.

Technical Specifications

Category	Hose Crimping Machine	Model / SKU	JK400-Tube-Crimper
Standard	EN	Weight / Size	4 KW Voltage:380V Weight:300kg Overall dimensions:
Certificate	ABS, LR, BV, DNVGL, NK, KR, IRS, RMRS, CCS	Warranty	12 Months unless specified otherwise
Origin	China		

CONTENTS

- China JK400 Tube Crimper:
- Structure:
- The main technical characteristics:

China JK400 Tube Crimper:

JK400 tube crimper is mainly used for pipe in mechanical engineering in high-pressure hose assembly burke processing, but also burke two-way elbow and super elbow and alien head.

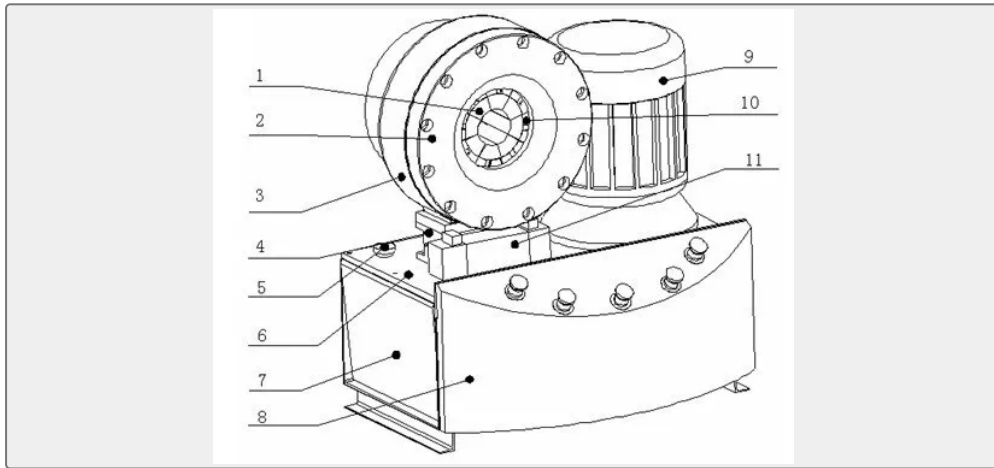


This machine is compact, small appearance strength, low noise, easy to operate. Burke quantity by rod precision adjustment. Composite double can'tt eight disc mould seat match with high precision guide device to make the tube hoop burke weapon.these more uniform appearance.

The main technical characteristics:

- Crimping scope: Φ 6 - Φ 64mm
- Max opening:170mm
- Crimping force: 640T
- Measure scale precision: 0.02 mm
- Rated pressure: 31.5 MPa
- Electric motor power: 4 KW
- Voltage:380V
- Weight:300kg
- Overall dimensions: 710* 500*810 mm

Structure:



Name:	Hose crimping machine,hose crimper,Pipe locking machine,Locking pipe machine,tube locking machine, tube crimping machine, tube crimper ,pipe crimping machine,pipe crimper.
Usage	Crimping hose

Popular type:	DX68 Hydraulic high pressure hose crimping machine 6-51mm
	DSG51A Multi-function pipe crimping machine 6-51mm
	DSG51B Multi-function pipe crimper 6-51mm
	DSG75 High pressure hose crimper 6-75mm
	DSG150 High pressure hose crimping machine 6-150mm
	DSG102S hose crimping machine 6-102mm
	DSG250A Locking Pipe Machine 6-51mm
	DSG250B tube crimping Machine 6-51mm
	DSG250C Pipe Locking Machine 6-51mm
	JK400 tube crimper 6-64mm
	JKS200 Manual type hose crimping machine 6-32mm
	SK100 Numeric control locking pipe machine 4-89mm