


STERN TUBE BEARING

JQ/CS 39 Type Stern Tube Bearing

Technical Specification This type of bearings is suitable for inland water vessels whose stern tube working medium is oil and that do not have a large stern shaft. Model ...

- ISO9001 Supplier
- Class Certificate
- Export Supply



Key Highlights	
Category	Stern Tube Bearing
Weight / Size	Model D1 D2 D3 D4 L L1 L2 L3 L4 L5 n Weight (kg) Front Back 70JQ/CS39 80 118 78 116 220 185 50 175 110 30 6 7 10 80JQ/CS39 90 128 88 126 245 210 60 195 130 35 6 8.3 12 90JQ/CS39 100 138 98 136 275 240 70 215 150 40 8 10 15 100JQ/CS39 110 148 108 146 295 260 80 235 170 40 8 11.5 18 110JQ/CS39 120 158 118 156 315 280 90 245 180 45 8 13.7 21 120JQ/CS39 130 168 128 166 345 31 90 265 200 50 8 15 25
Certificate	CCS, BV, ABS, GL, LR, DNV, NK,RINA, KR,IRS
<p style="font-size: small;">We can supply according to your requirement, drawings, class certificate needs, and delivery schedule.</p>	

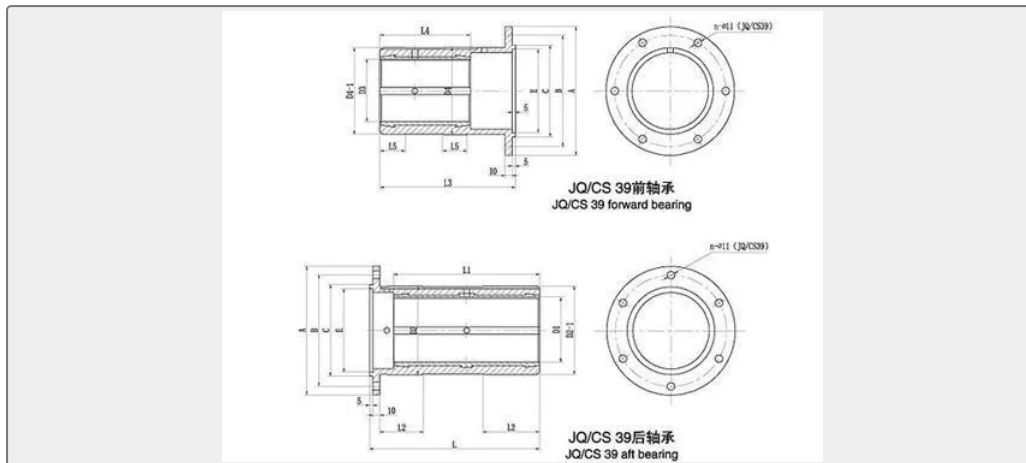
Technical Specifications

Category	Stern Tube Bearing	Model / SKU	JQ-CS-39-Type-Stern-Tube-Bearing
Weight / Size	Model D1 D2 D3 D4 L L1 L2 L3 L4 L5 n Weight (kg) Front Back 70JQ/CS39 80 118 78 116 220 185 50 175 110 30 6 7 10 80JQ/CS39 90 128 88 126 245 210 60 195 130 35 6 8.3 12 90JQ/CS39 100 138 98 136 275 240 70 215 150 40 8 10 15 100JQ/CS39 110 148 108 146 295 260 80 235 170 40 8 11.5 18 110JQ/CS39 120 158 118 156 315 280 90 245 180 45 8 13.7 21 120JQ/CS39 130 168 128 166 345 31 90 265 200 50 8 15 25	Certificate	CCS, BV, ABS, GL, LR, DNV, NK,RINA, KR,IRS
Warranty	12 Months unless specified otherwise	Origin	China



Technical Specification

This type of bearings is suitable for inland water vessels whose stern tube working medium is oil and that do not have a large stern shaft.



Model	D1	D2	D3	D4	L	L1	L2	L3	L4	L5	n	Weight (kg)	
												Front	Back
70JQ/CS39	80	118	78	116	220	185	50	175	110	30	6	7	10
80JQ/CS39	90	128	88	126	245	210	60	195	130	35	6	8.3	12
90JQ/CS39	100	138	98	136	275	240	70	215	150	40	8	10	15
100JQ/CS39	110	148	108	146	295	260	80	235	170	40	8	11.5	18
110JQ/CS39	120	158	118	156	315	280	90	245	180	45	8	13.7	21
120JQ/CS39	130	168	128	166	345	31	90	265	200	50	8	15	25